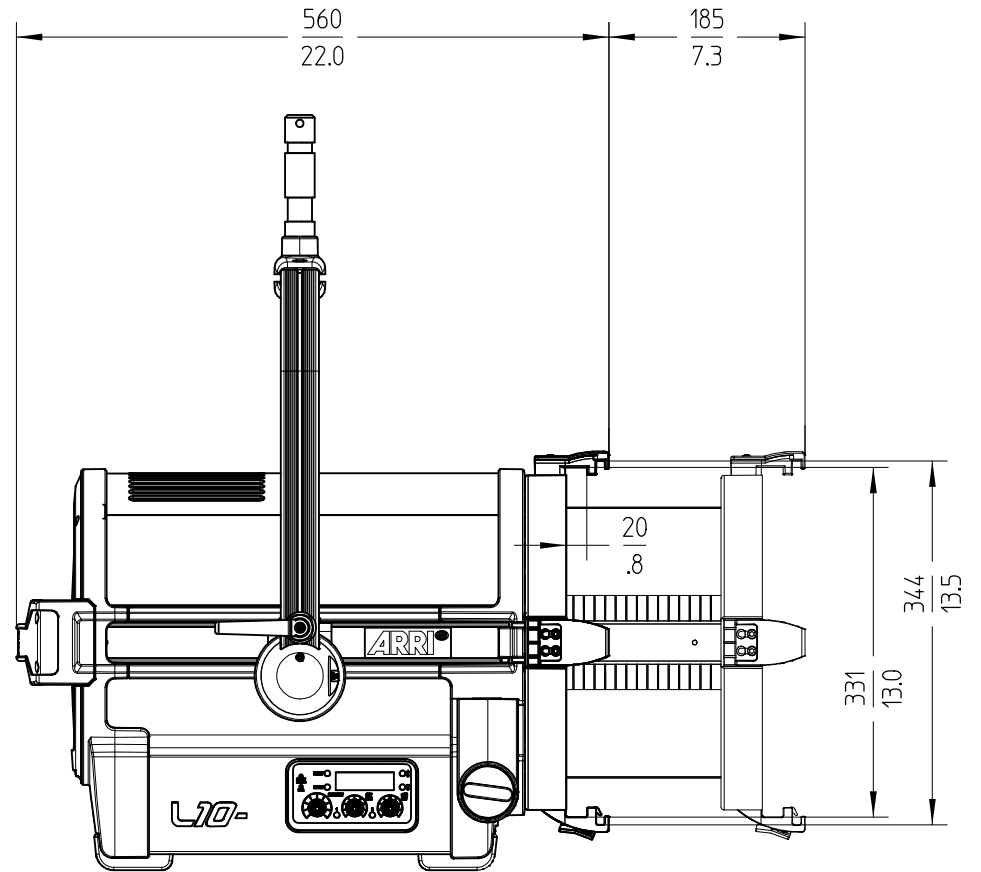
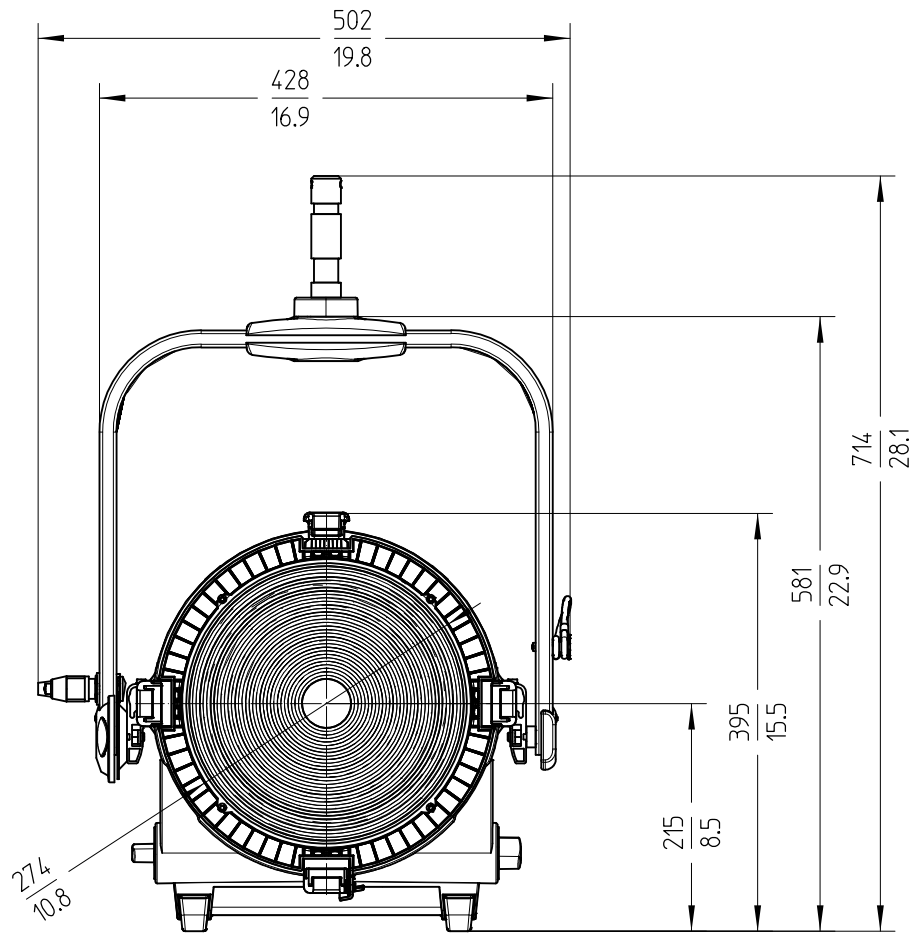



Schutzvermerk nach DIN34 beachten



Scheinwerfertyp type of lamphed	L10 - preliminary	Packmass packed size	-	Ident Nr.:		Gewicht weight		Packgewicht packed weight		 <p>Arnold & Richter Cine Technik Pulvermuehle D-83071 Stephanskirchen</p>
Leuchtmittel lamp	ARRI LED-Engine	Packvolumen packed volume	-	man.	Version	kg.	lbs.	kg.	lbs.	
Lampensockel lamp base	-	Linse lenses	Ø 274mm Ø 10.79"	L1.0001776	L10-C	19,7	43,5	-	-	
Zubehoer accessories	Ø 330mm Ø 12.99"	Dateiname file name	-	L1.0001778	L10-C	19,7	43,5	-	-	
Fluegeltor barndoor	Ø 344mm Ø 13.54"	Version / Stand version / as at...	1.2 / 18.02.2015	L1.0001780	L10-TT	19,7	43,5	-	-	
				L1.0001782	L10-TT	19,7	43,5	-	-	
				L1.0001784	L10-DT	19,7	43,5	-	-	
				L1.0001786	L10-DT	19,7	43,5	-	-	