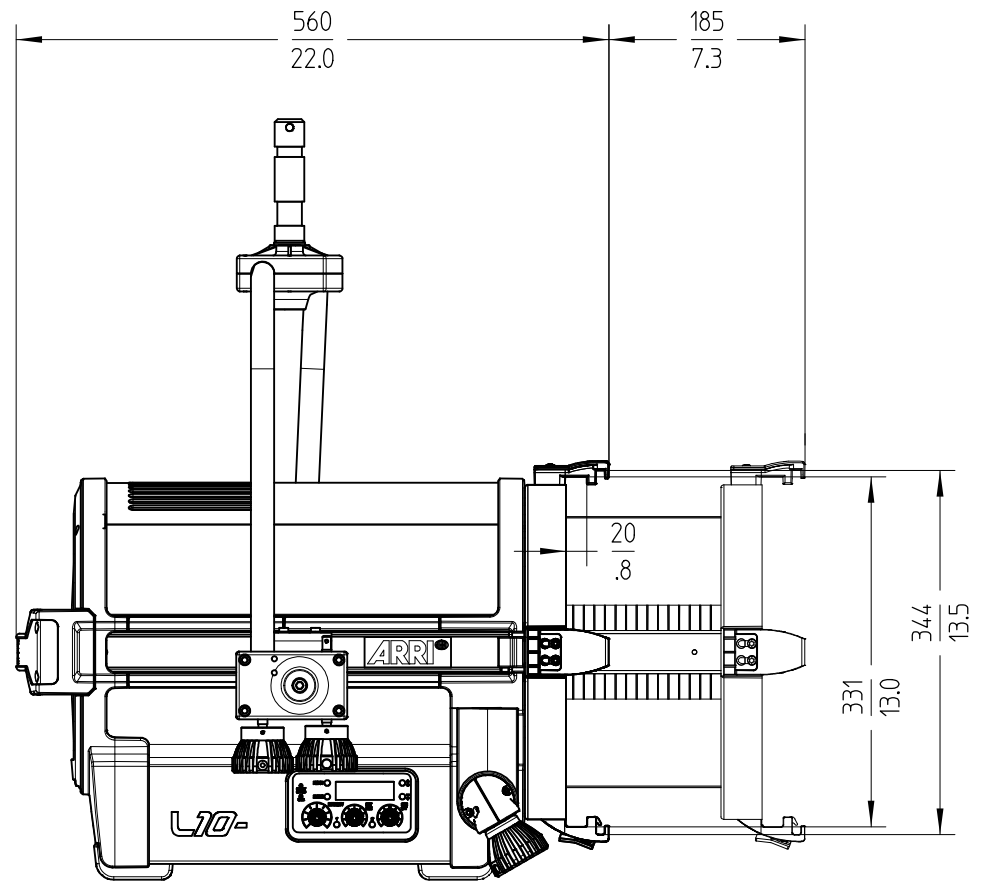
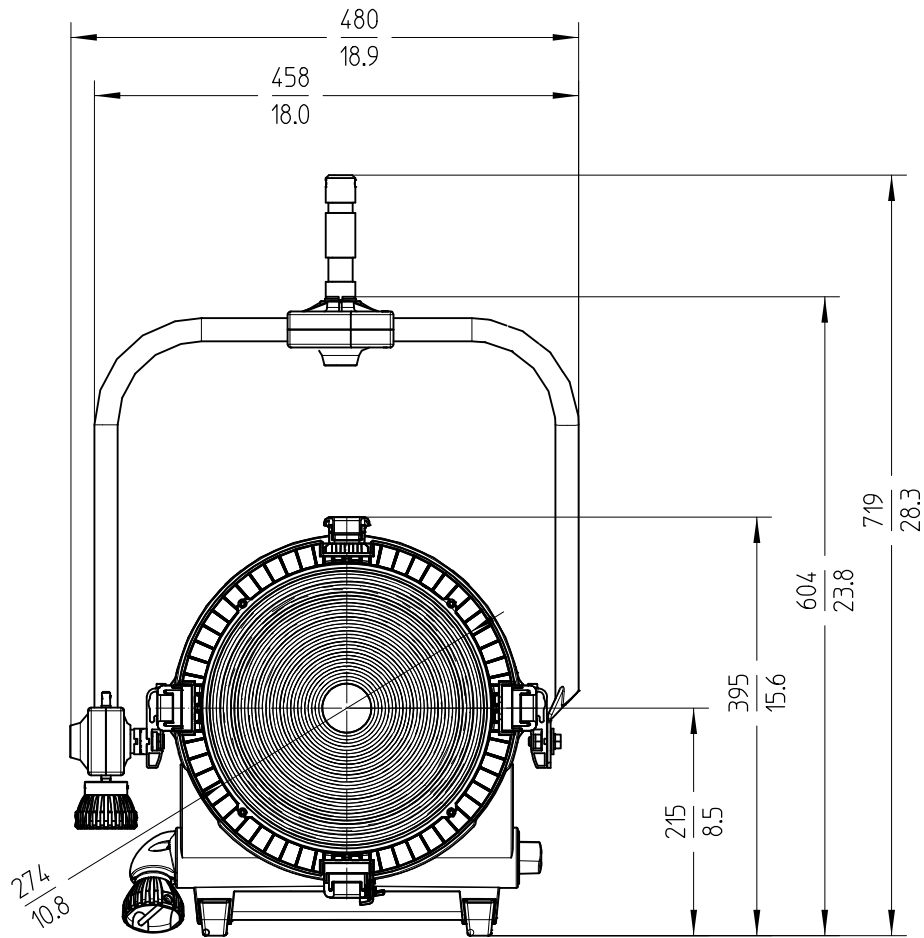



Schutzvermerk nach DIN34 beachten



Scheinwerfertyp type of lamphead	L10-PO - preliminary	Packmass packed size	-	Ident Nr.:		Gewicht weight		Packgewicht packed weight		 <p>Arnold &amp; Richter Cine Technik Pulvermuehle D-83071 Stephanskirchen</p>
Leuchtmittel lamp	ARRI LED-Engine	Packvolumen packed volume	-	P.O.	Version	kg.	lbs.	kg.	lbs.	
Lampensockel lamp base	-	Linse lenses	Ø 274mm Ø 10.79"	L1.0001777	L10-C	21.3	47.0	-	-	
Zubehoer accessories	Ø 330mm Ø 12.99"	Dateiname file name	L10-PO	L1.0001779	L10-C	21.3	47.0	-	-	
Fluegeltor barndoor	Ø 344mm Ø 13.54"	Version / Stand version / as at...	1.2 / 18.02.2015	L1.0001781	L10-TT	21.3	47.0	-	-	
				L1.0001783	L10-TT	21.3	47.0	-	-	
				L1.0001785	L10-DT	21.3	47.0	-	-	
				L1.0001787	L10-DT	21.3	47.0	-	-	