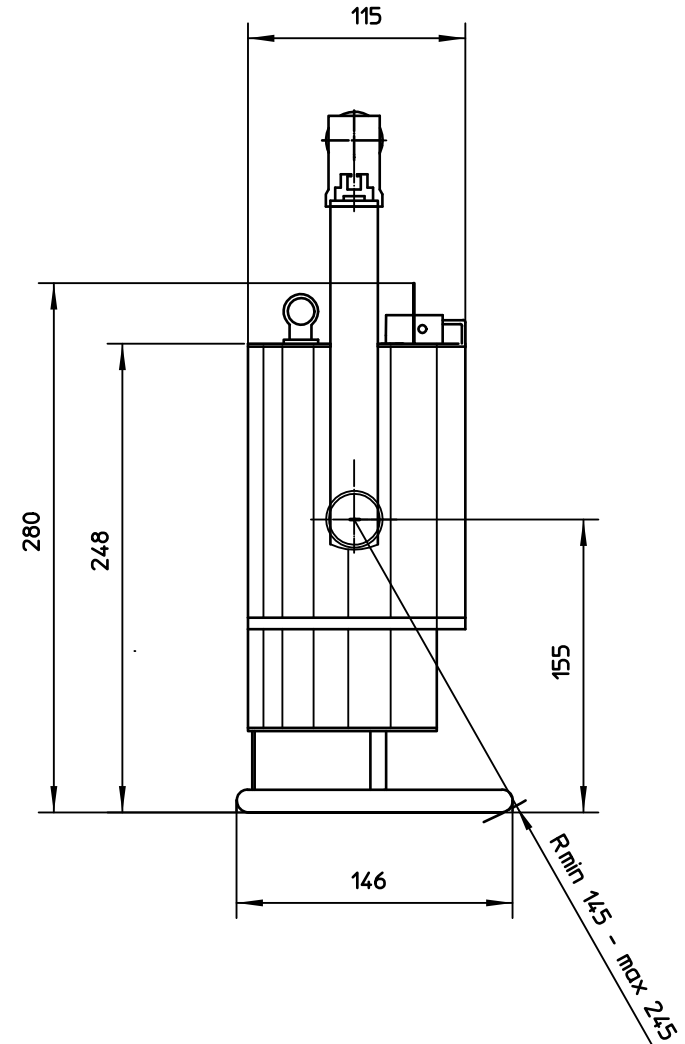
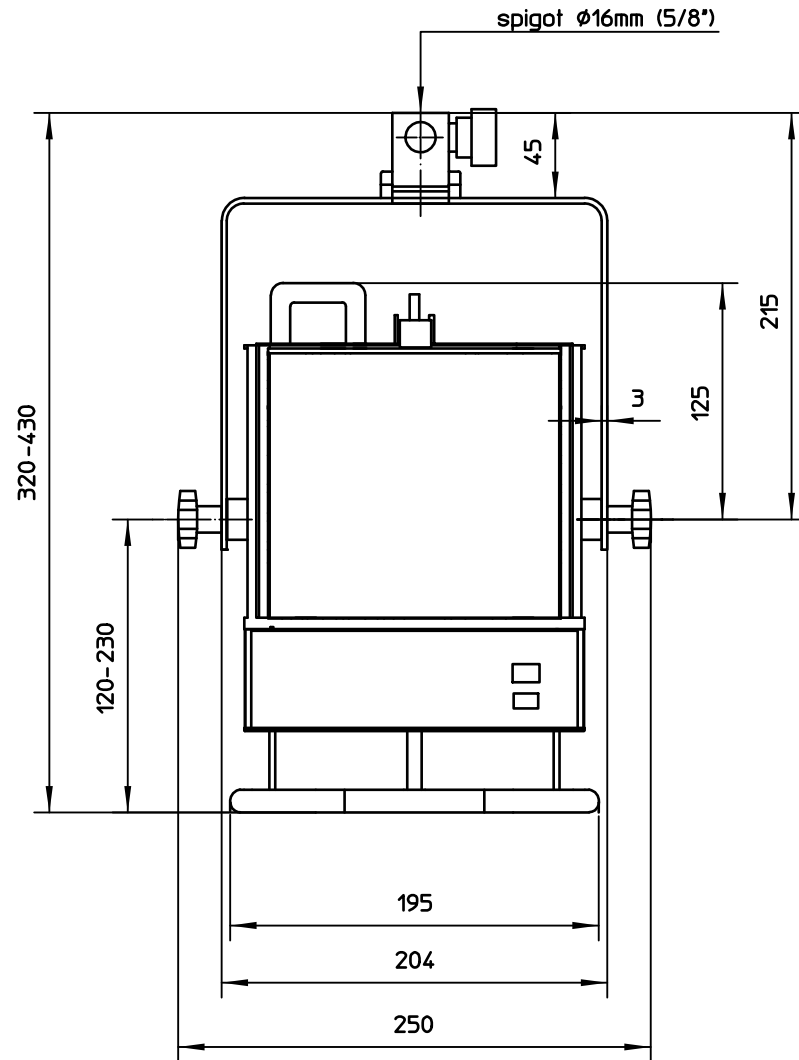


Schutzvermerk nach DIN34 beachten



Scheinwerfertyp type of lamphead	ARRI X 2	Frontscheibe front screen	145x170mm 5.7x6.7 "	Packmass packed size	290x260x350 mm 11.42x10.24x13.78 "	Gewicht net weight	2.5 kg 5.5 lbs
Leuchtmittel lamp	HMI 200W/SE	Zubehoer accessories	170 mm 6.7 "	Packvolumen packed volume	26.39 l 0.932 ft3	Dateiname file name	x2_mb_03
Lampensockel lamp base	GZY9.5	Fluegeltor barndoor	176 mm 6.9 "	Packgewicht packed weight	3.5 kg 7.72 lbs	Version / Stand version / as at...	1.2/10.07.06

ARRI[®]
Arnold & Richter Cine Technik
Pulvermuehle
D-83071 Stephanskirchen