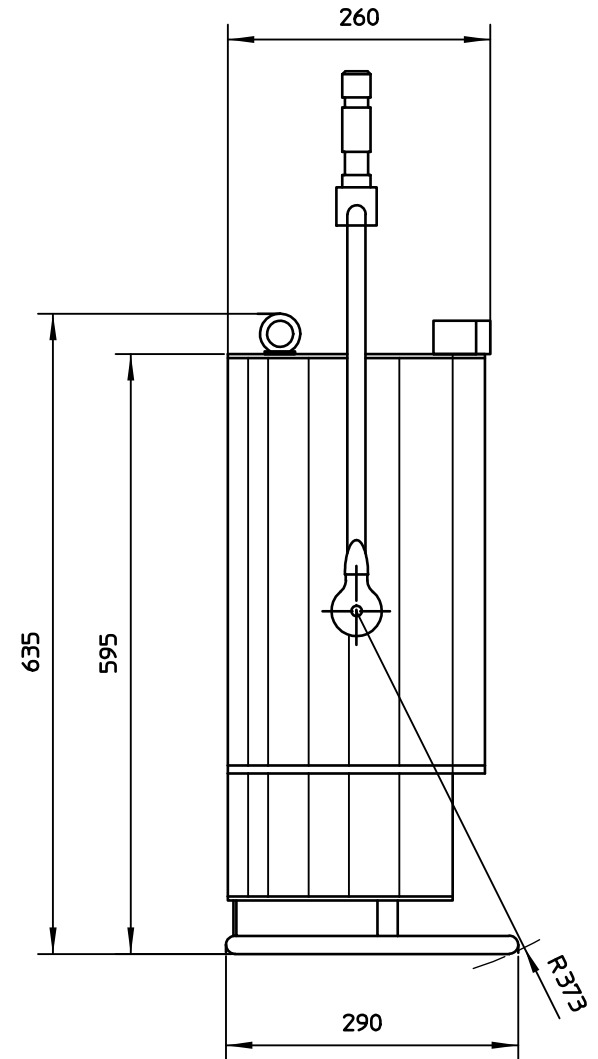
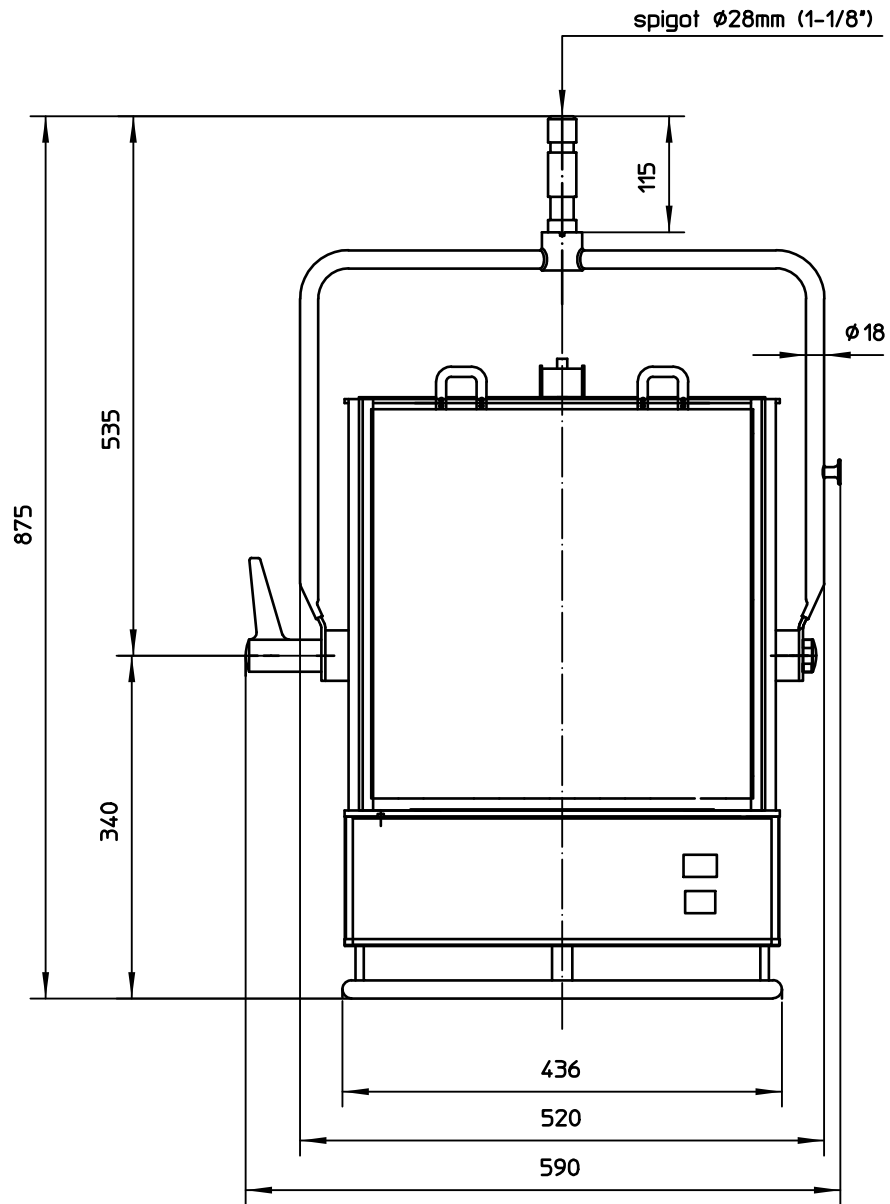



Schutzvermerk nach DIN34 beachten



Scheinwerfertyp type of lamphead	ARRI X40/25	Frontscheibe front screen	385x400mm 15.2x14.8 "	Packmass packed size	670x610x620 mm 26.38x24.02x24.41 "	Gewicht net weight	21.1 kg 46.5 lbs	 Arnold & Richter Cine Technik Pulvermuehle D-83071 Stephanskirchen
Leuchtmittel lamp	HMI 4000W/SE HMI 2500W/SE	Zubehoer accessories	400 mm 15.75 "	Packvolumen packed volume	253.39 l 8.949 ft3	Dateiname file name	x40_25_mb_02	
Lampensockel lamp base	G38	Fluegeltor barndoor	415 mm 16.33 "	Packgewicht packed weight	27.5 kg 60.53 lbs	Version / Stand version / as at...	1.1/10.07.06	