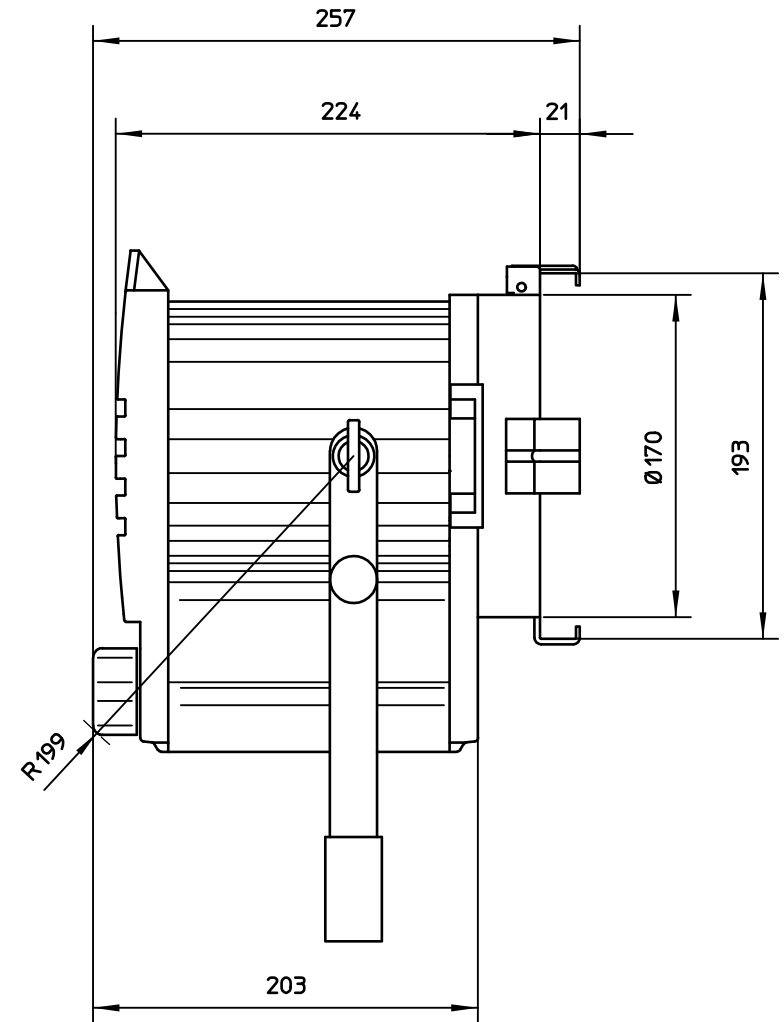
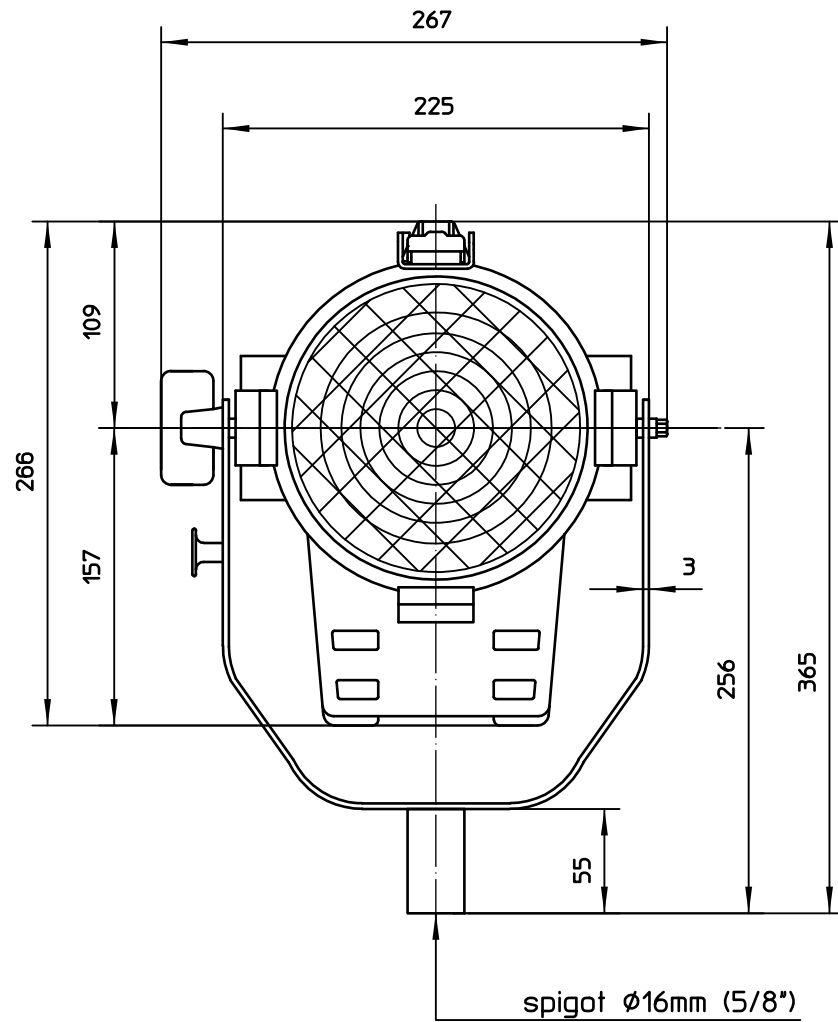



Schutzvermerk nach DIN34 beachten



Scheinwerfertyp type of lamphead	ARRI 1000	Linsen lenses	Ø 130 mm Ø 5.1 "	Packmass packed size	290x260x350 mm 11.42x10.24x13.78 "	Gewicht net weight	3.8 kg 8.4 lbs	 Arnold & Richter Cine Technik Pulvermuehle D-83071 Stephanskirchen
Leuchtmittel lamp	230V:FKJ(CP/40,CP/71) 120V:EGT(CP/39)	Zubehoer accessories	Ø 197 mm Ø 7.8 "	Packvolumen packed volume	26.39 l 0.932 ft3	Dateiname file name	ar1000+_mb_02	
Lampensockel lamp base	G22	Fluegeltor barndoor	Ø 197 mm Ø 7.8 "	Packgewicht packed weight	6.1 kg 13.45 lbs	Version / Stand version / as at...	1.1/24.07.06	