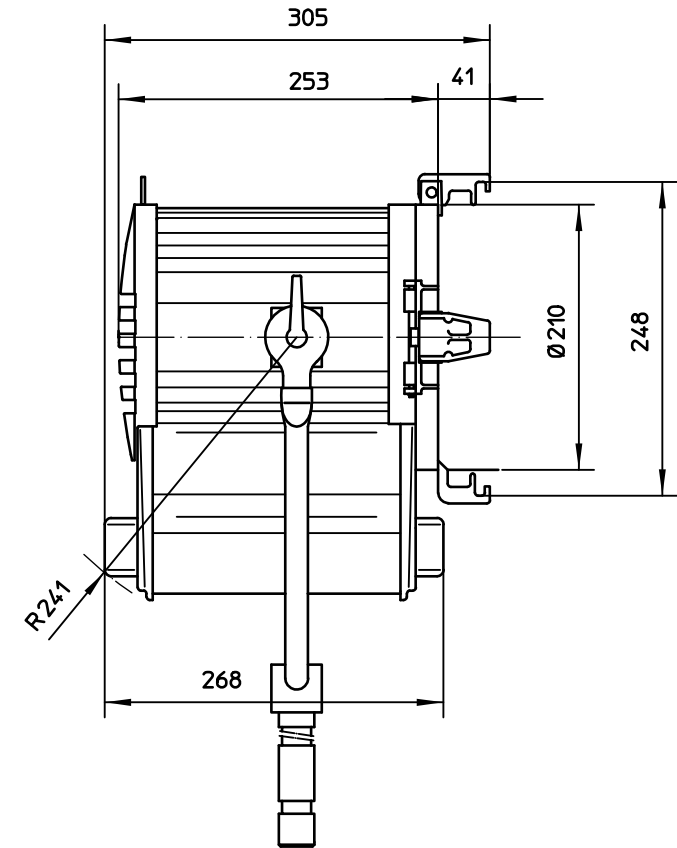
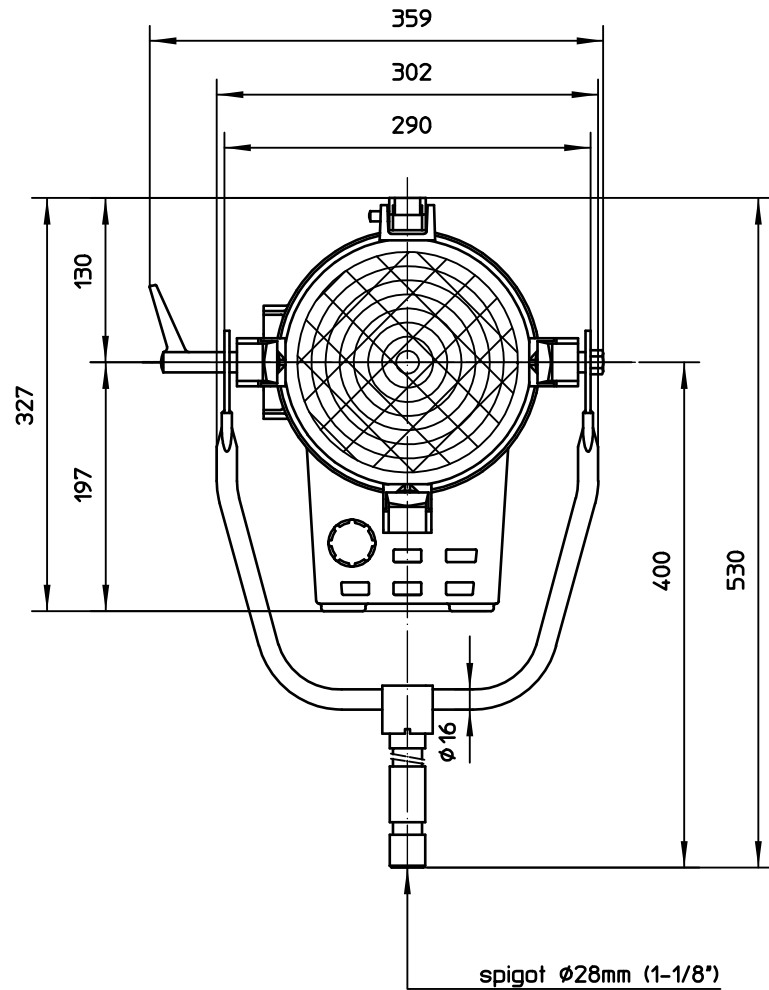



Schutzvermerk nach DIN34 beachten



Scheinwerfertyp type of lamphead	ARRI 2000	Linsen lenses	Ø 175 mm Ø 6.9 "	Packmass packed size	415x415x510 mm 16.34x16.34x20.08 "	Gewicht net weight	6.1 kg 13.4 lbs	 Arnold & Richter Cine Technik Pulvermuehle D-83071 Stephanskirchen
Leuchtmittel lamp	230V:FKK(CP/73,CP/41) 120V:CYX(HX270)	Zubehoer accessories	Ø 229 mm Ø 9 "	Packvolumen packed volume	87.83 l 3.103 ft3	Dateiname file name	ar2000_mb_02	
Lampensockel lamp base	G38	Fluegellor barndoor	Ø 245 mm Ø 9.6 "	Packgewicht packed weight	9 kg 20.94 lbs	Version / Stand version / as at...	1.1/24.07.06	