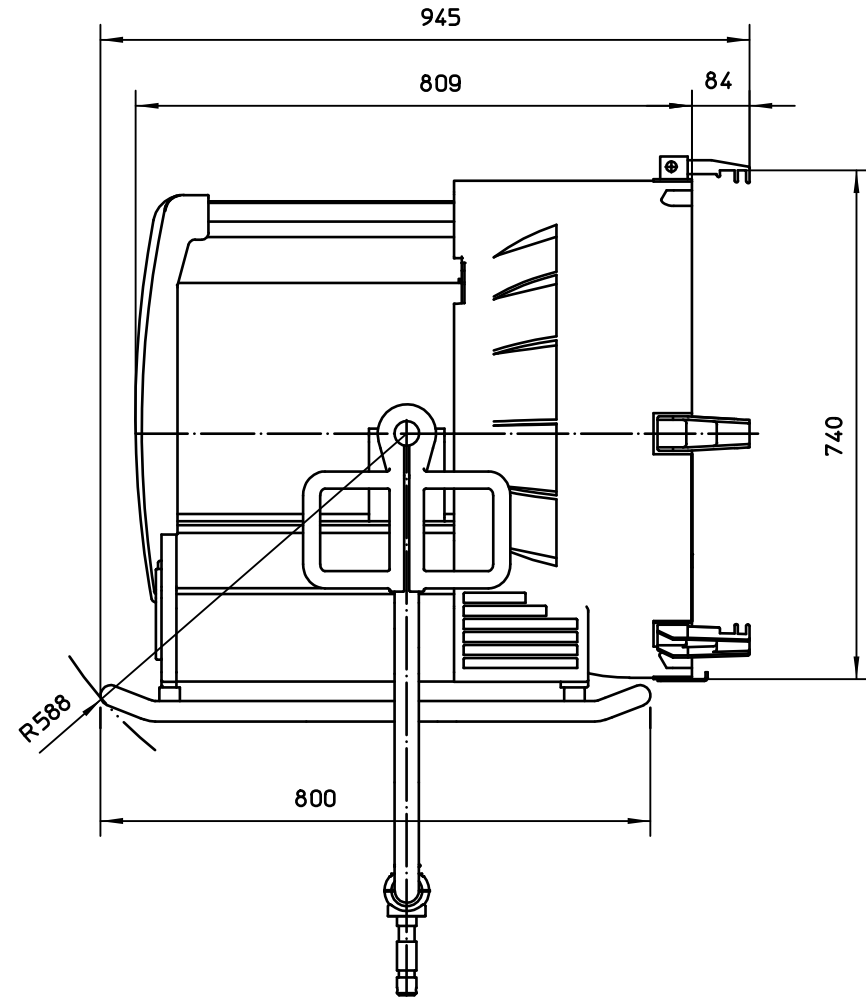
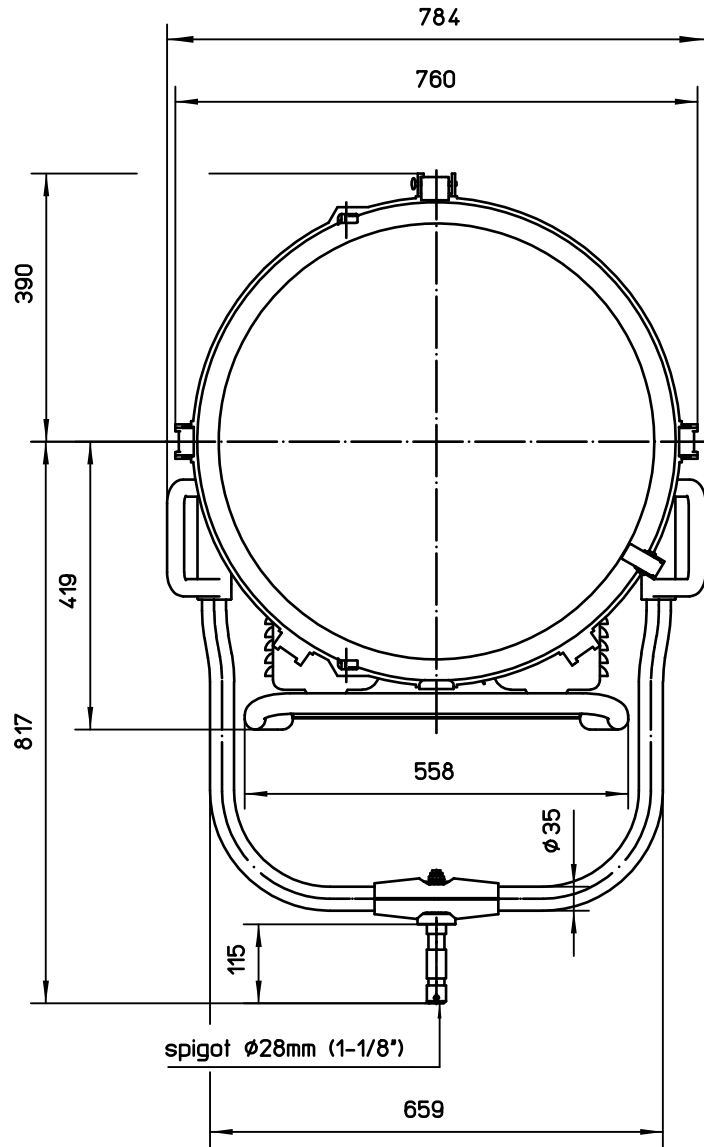



Schutzvermerk nach DIN34 beachten



Scheinwerfertyp type of lamphead	ARRIMAX 18/12	Frontscheibe front screen	Ø 646mm Ø 25,4 "	Packmass packed size	1170x1050x1135 mm 46,06x41,33x44,68 "	Gewicht net weight	65.0 kg 143.2 lbs	 Arnold & Richter Cine Technik Pulvermuehle D-83071 Stephanskirchen
Leuchtmittel lamp	HMI 18000W/SE HMI 12000W/SE	Zubehoer accessories	Ø 740 mm Ø 29 "	Packvolumen packed volume	1394,34 l 49,240 ft3	Dateiname file name	AM24_18_mb_02	
Lampensockel lamp base	G38/G51	Fluegeltor barndoor	Ø 740 mm Ø 29 "	Packgewicht packed weight	110 kg 242,5 lbs	Version / Stand version / as at...	1.1/11.07.06	