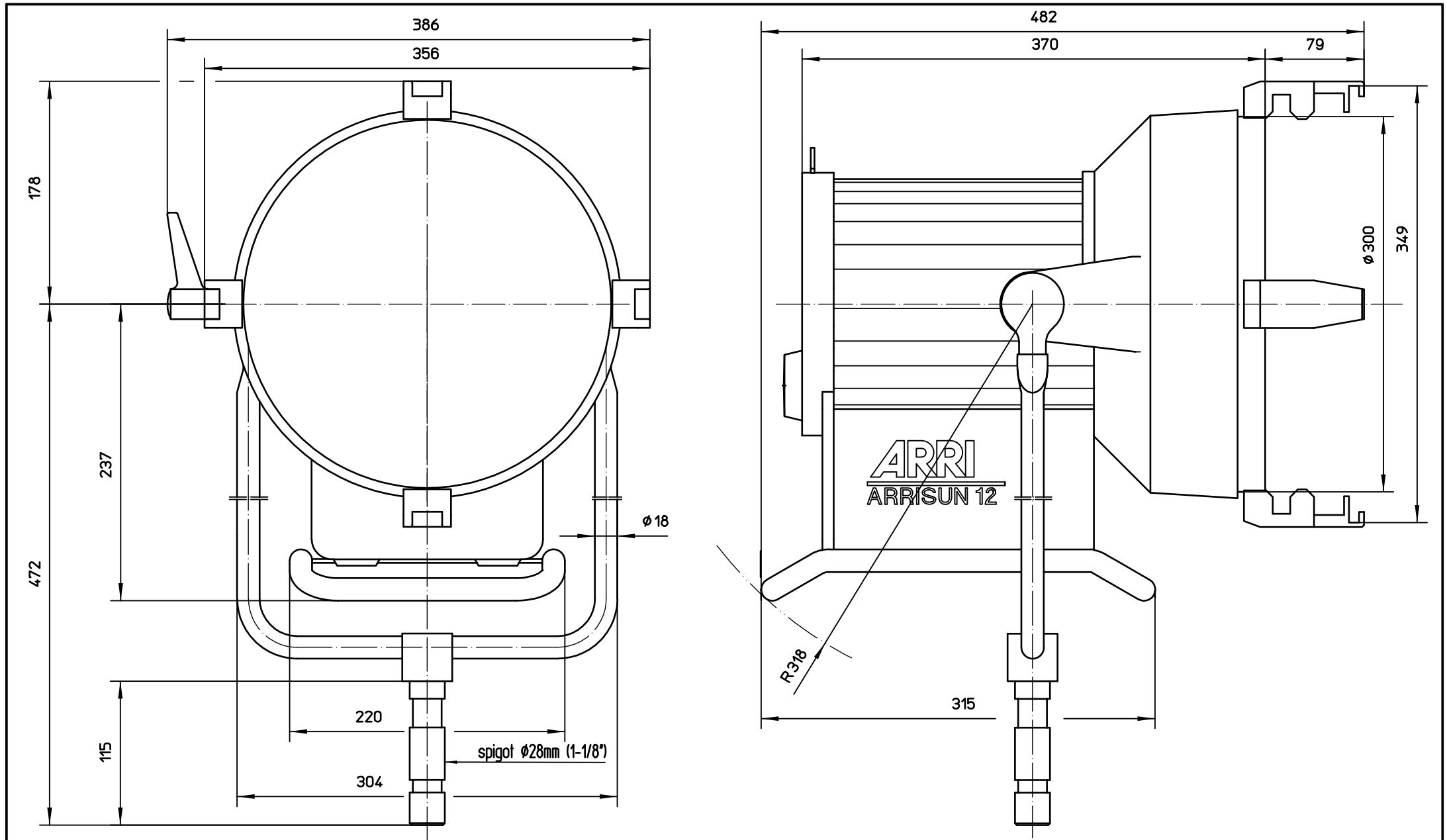



Schutzvermerk nach DIN34 beachten



Scheinwerfertyp type of lamphead	ARRISUN 12	Linsen lenses	Ø 250 mm Ø 9.8 "	Packmass packed size	530x530x620 mm 20.87x20.87x24.41 "	Gewicht net weight	12.8 kg 28.2 lbs	 Arnold & Richter Cine Technik Pulvermuehle D-83071 Stephanskirchen
Leuchtmittel lamp	HMI 1200W/SE	Zubehoer accessories	Ø 335 mm Ø 13.2 "	Packvolumen packed volume	174.16 l 6.150 ft3	Dateiname file name	as12_mb_03	
Lampensockel lamp base	G38	Fluegeltor barndoor	Ø 344 mm Ø 13.5 "	Packgewicht packed weight	15 kg 33.07 lbs	Version / Stand version / as at...	1.2/03.07.06	