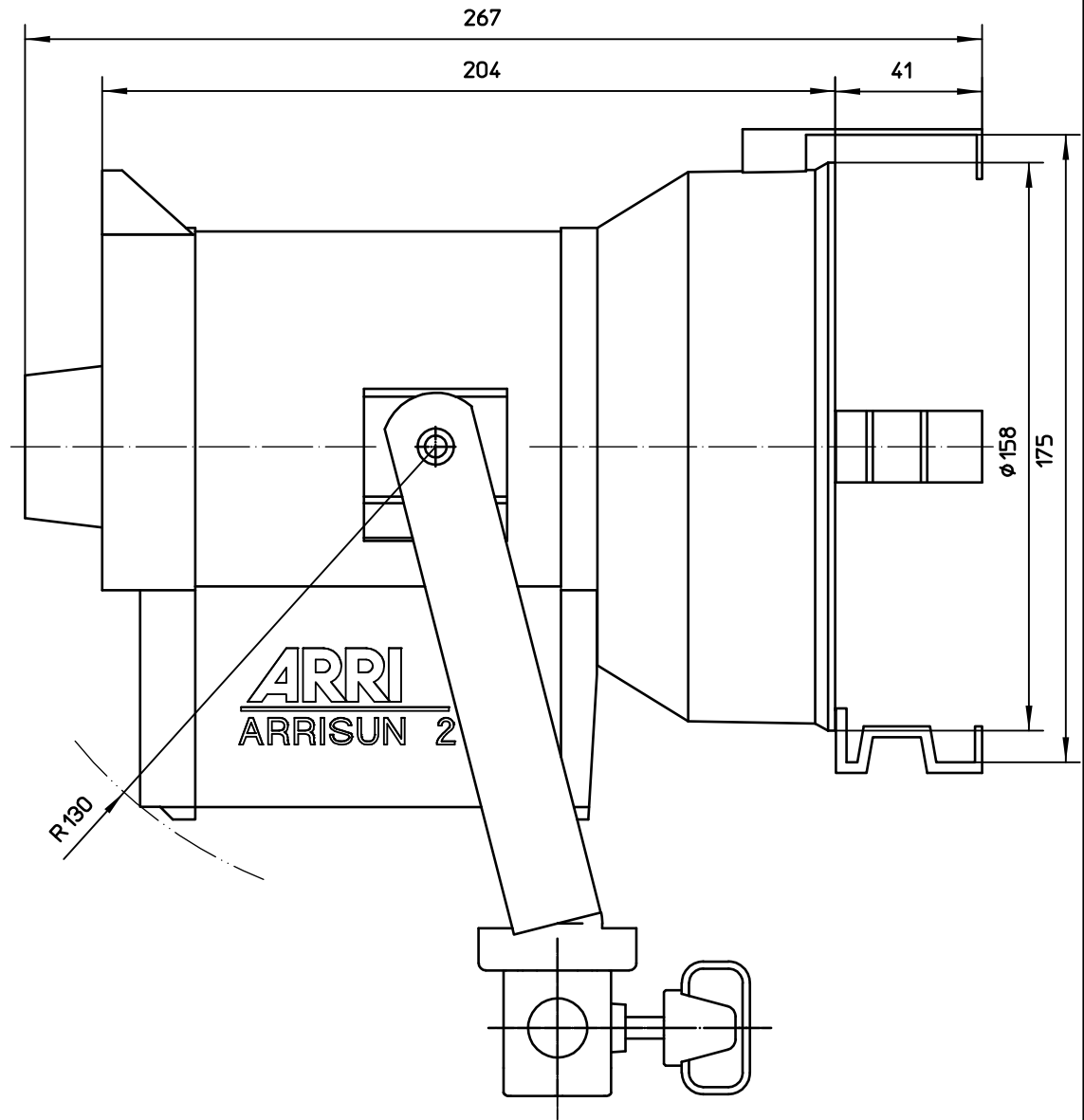
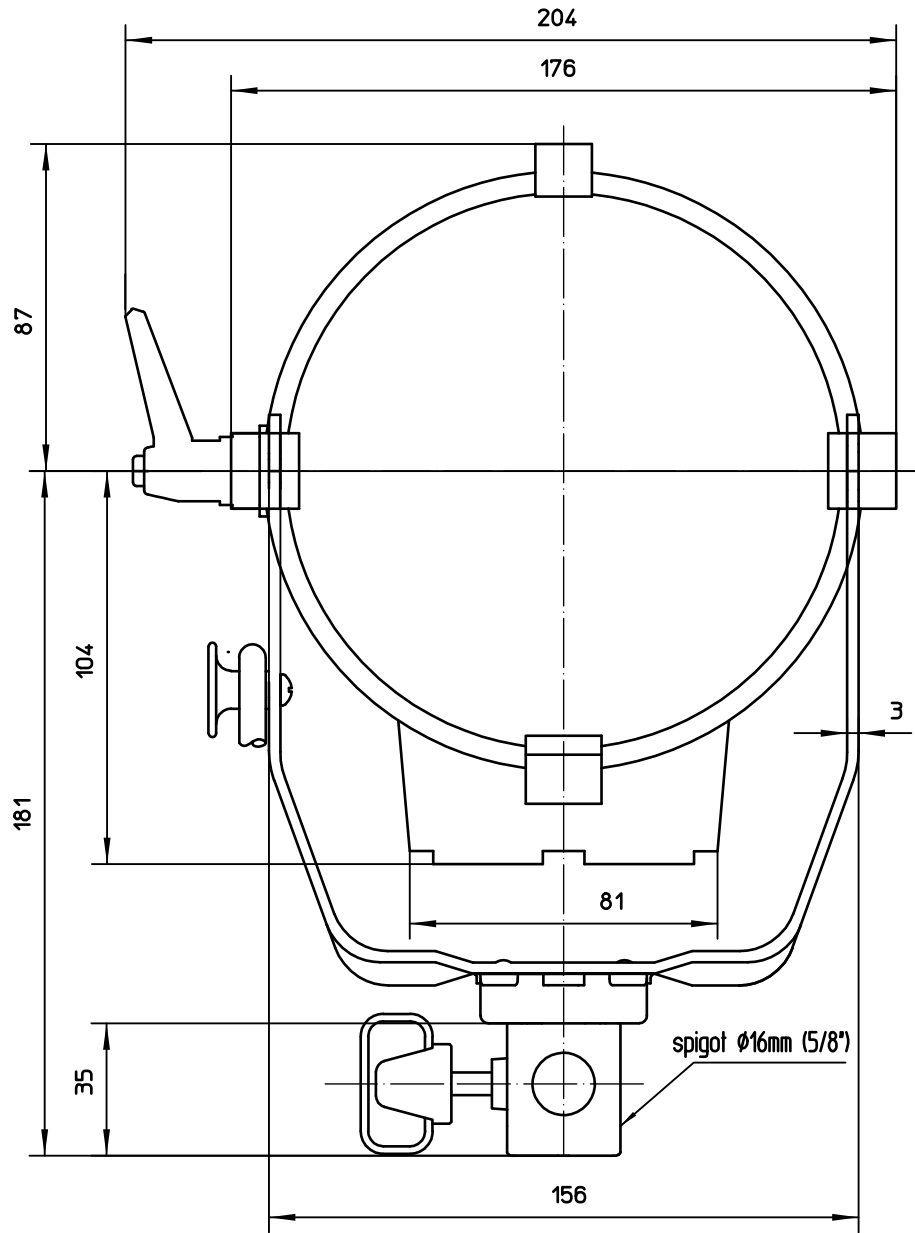



Schutzvermerk nach DIN34 beachten



Scheinwerfertyp type of lamphead	ARRISUN 2	Linsen lenses	Ø 135 mm Ø 5.3 "	Packmass packed size	260x220x300 mm 10.24x8.66x11.81 "	Gewicht net weight	2.3 kg 5.0 lbs	 Arnold & Richter Cine Technik Pulvermuehle D-83071 Stephanskirchen
Leuchtmittel lamp	HMI 200W/SE	Zubehoer accessories	Ø 170 mm Ø 6.7 "	Packvolumen packed volume	17.16 l 0.606 ft3	Dateiname file name	as2_mb_03	
Lampensockel lamp base	GZY9.5	Fluegeltor barndoor	Ø 160 mm Ø 6.3 "	Packgewicht packed weight	3.2 kg 7.05 lbs	Version / Stand version / as at...	1.2/03.07.06	