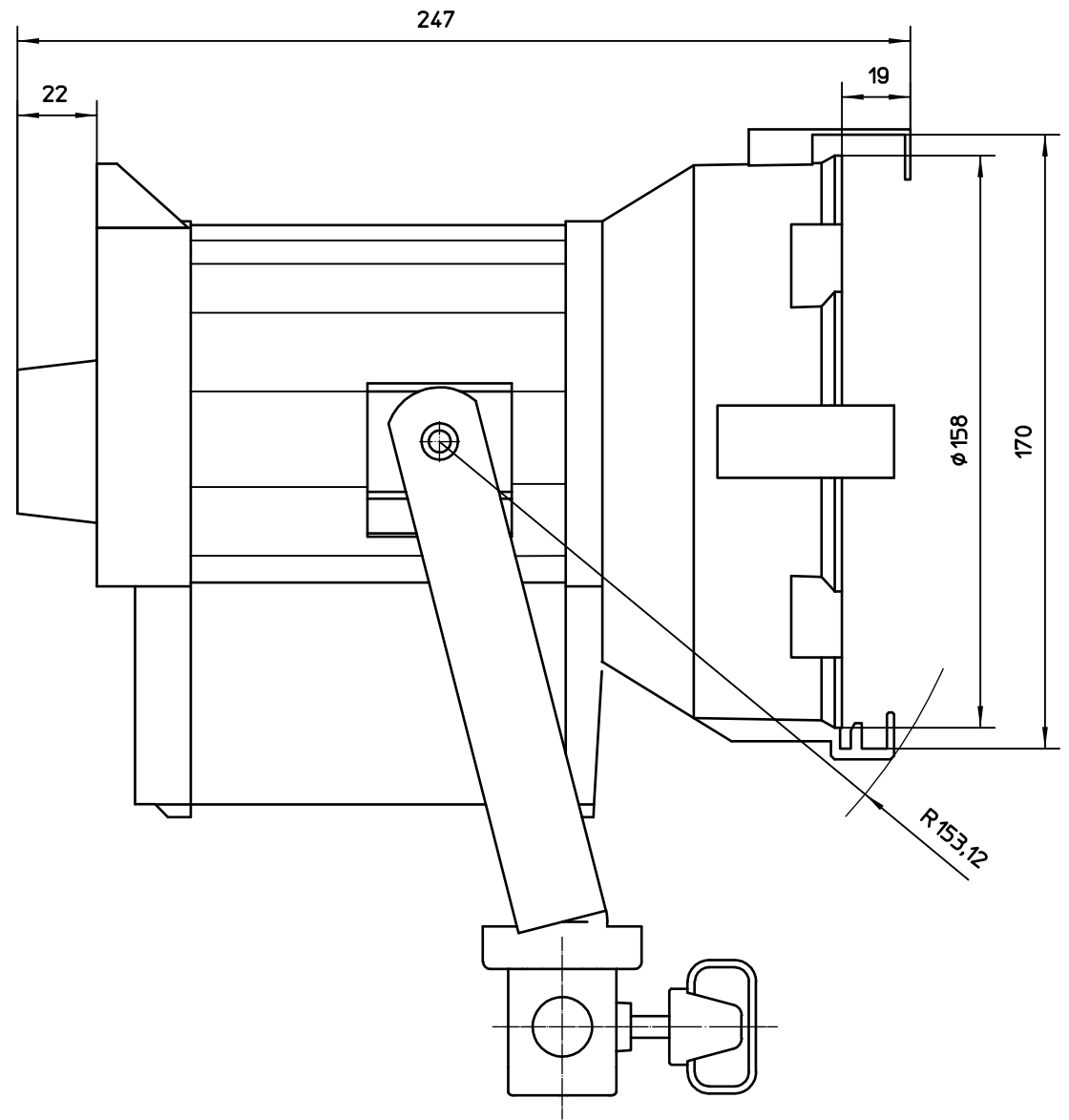
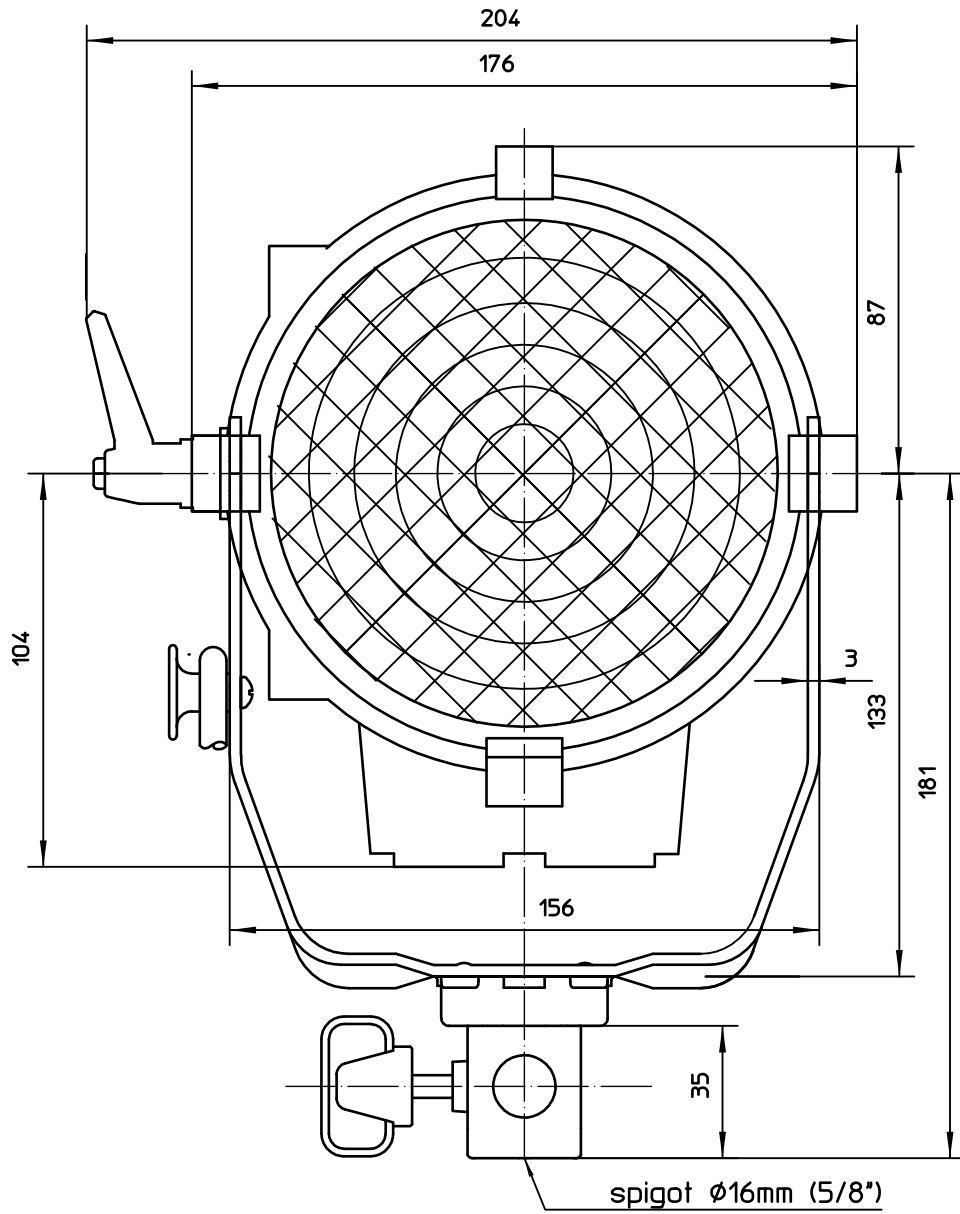



Schutzvermerk nach DIN34 beachten



Scheinwerfertyp type of lamphead	ARRISUN 2 EVENT	Linsen lenses	∅ 140 mm ∅ 5.5 "	Packmass packed size	260x220x300 mm 10.24x8.66x11.81 "	Gewicht net weight	2.3 kg 5.1 lbs	 Arnold & Richter Cine Technik Pulvermuehle D-83071 Stephanskirchen
Leuchtmittel lamp	HMI 200W/SE	Zubehoer accessories	∅ 145 mm ∅ 5.7 "	Packvolumen packed volume	17.16 l 0.606 ft3	Dateiname file name	ase2_mb_02	
Lampensockel lamp base	GZY9.5	Fluegeltor barndoor	∅ 135 mm ∅ 5.3 "	Packgewicht packed weight	3.2 kg 7.05 lbs	Version / Stand version / as at...	1.1/07.07.06	