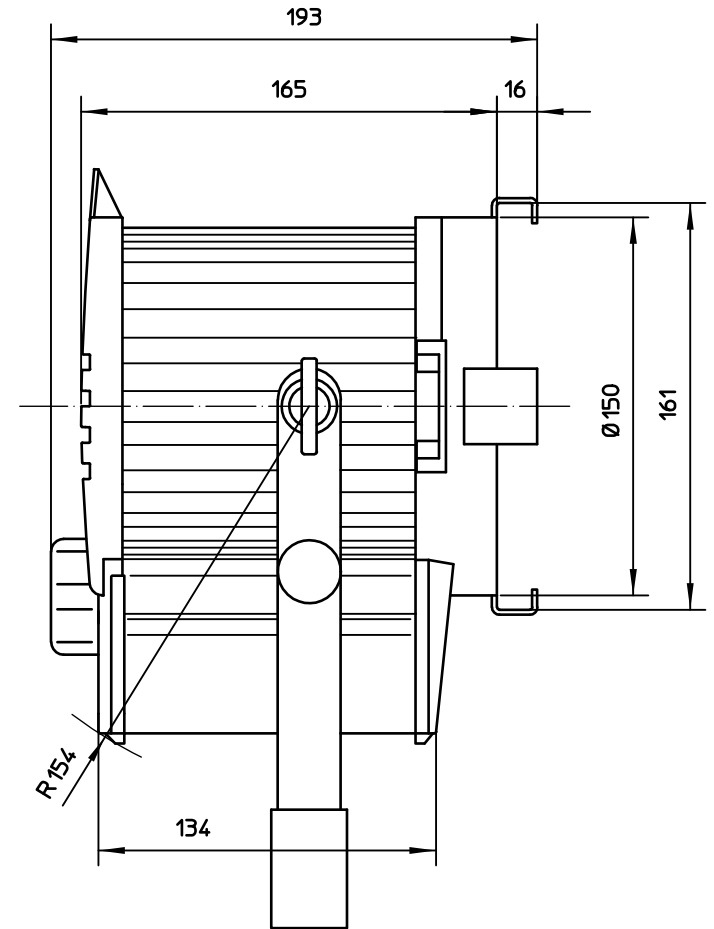
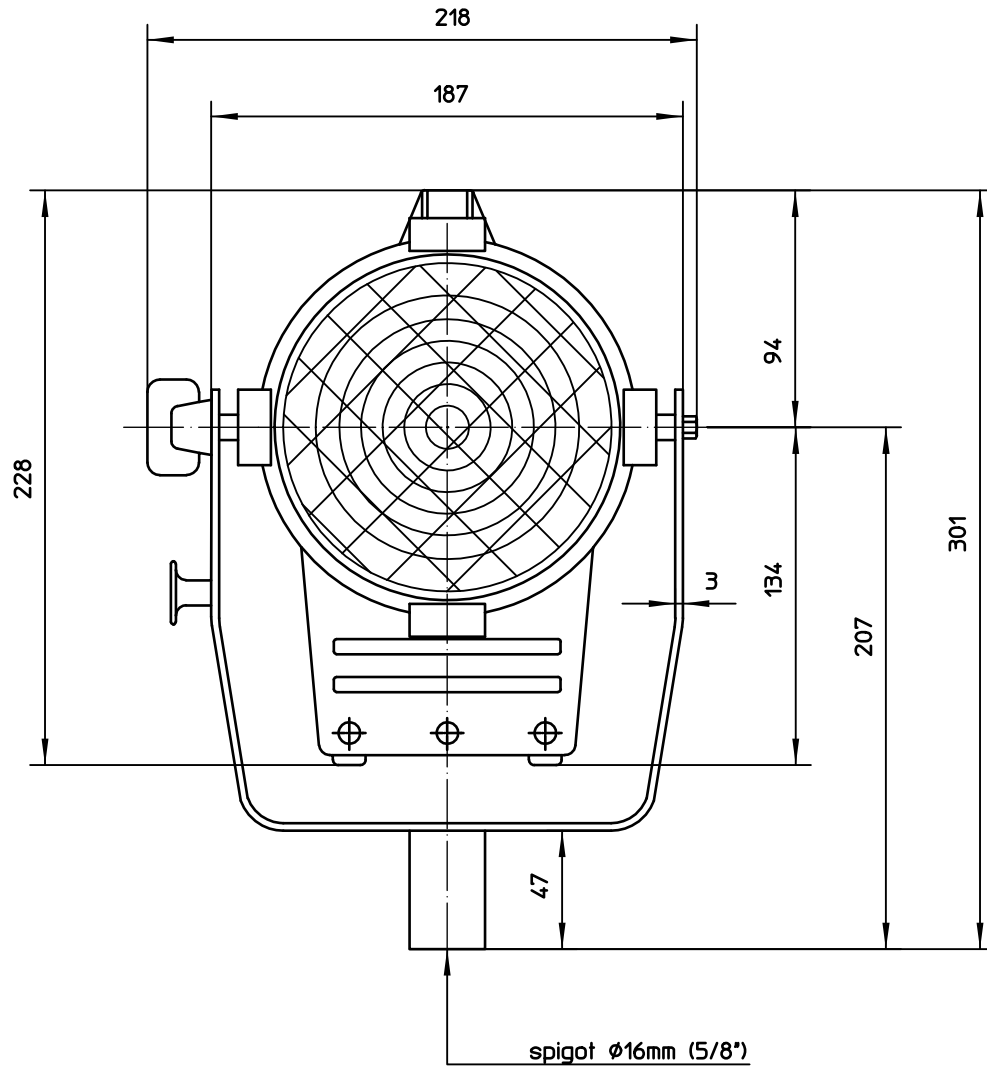



Schutzvermerk nach DIN34 beachten



Scheinwerfertyp type of lamphead	Compact 200W	Linsen lenses	$\phi$ 112 mm $\phi$ 4.4 "	Packmass packed size	290x260x360 mm 11.42x10.24x14.17 "	Gewicht net weight	2.3 kg 5.1 lbs	 Arnold & Richter Cine Technik Pulvermuehle D-83071 Stephanskirchen
Leuchtmittel lamp	HMI 200W/SE	Zubehoer accessories	$\phi$ 168 mm $\phi$ 6.6 "	Packvolumen packed volume	27.14 l 0.959 ft3	Dateiname file name	c200_mb_02	
Lampensockel lamp base	GZY9.5	Fluegeltor barndoor	$\phi$ 168 mm $\phi$ 6.6 "	Packgewicht packed weight	3.1 kg 6.83 lbs	Version / Stand version / as at...	1.1/04.07.06	