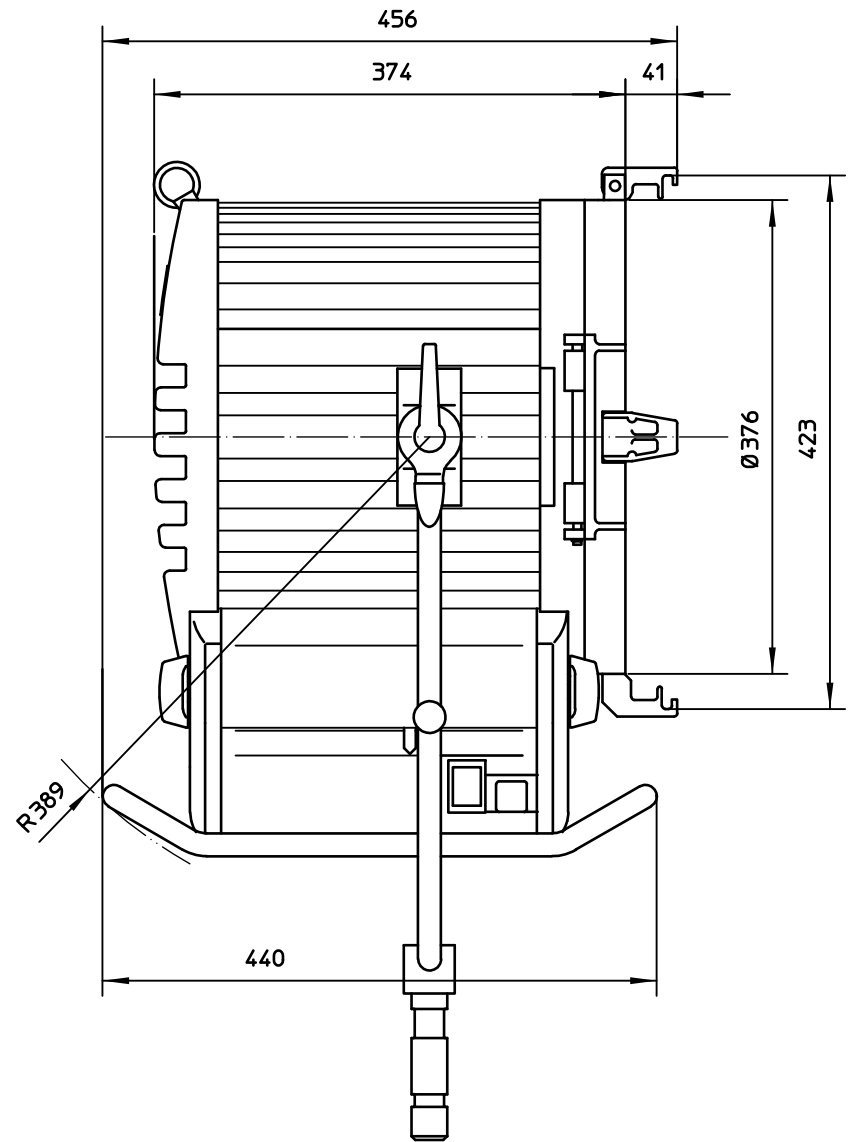
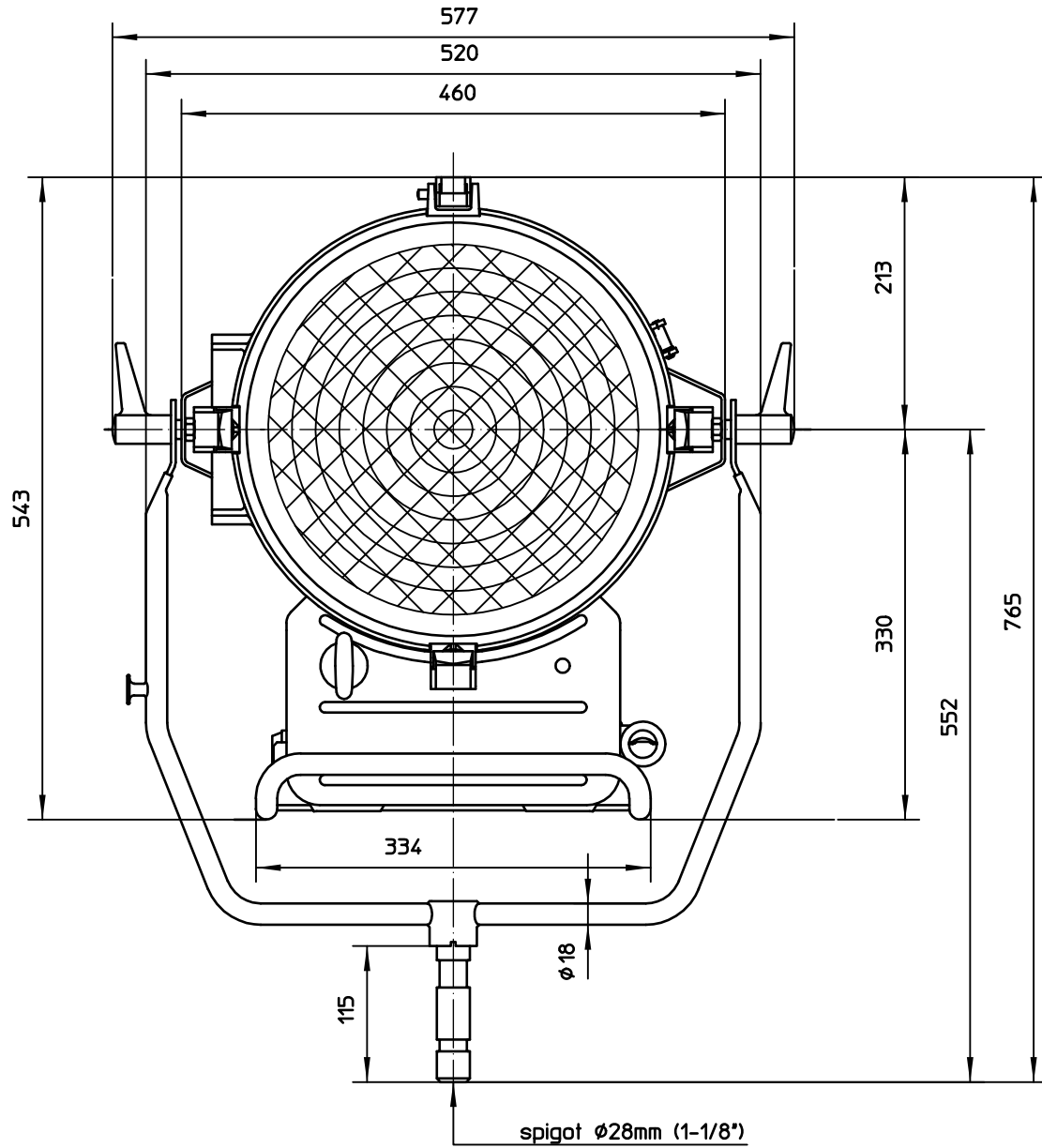



Schutzvermerk nach DIN34 beachten



Scheinwerfertyp type of lamphead	Compact 4000W	Linsen lenses	Ø 300 mm Ø 11.8 "	Packmass packed size	670x610x620 mm 26.38x24.02x24.41 "	Gewicht net weight	20.6 kg 45.4 lbs	 Arnold & Richter Cine Technik Pulvermuehle D-83071 Stephanskirchen
Leuchtmittel lamp	HMI 4000W/SE	Zubehoer accessories	Ø 400 mm Ø 15.7 "	Packvolumen packed volume	253.39 l 8.949 ft3	Dateiname file name	c4000_mb_02	
Lampensockel lamp base	G38	Fluegeltor barndoor	Ø 413 mm Ø 16.3 "	Packgewicht packed weight	25 kg 55.11 lbs	Version / Stand version / as at...	1.1/06.07.06	