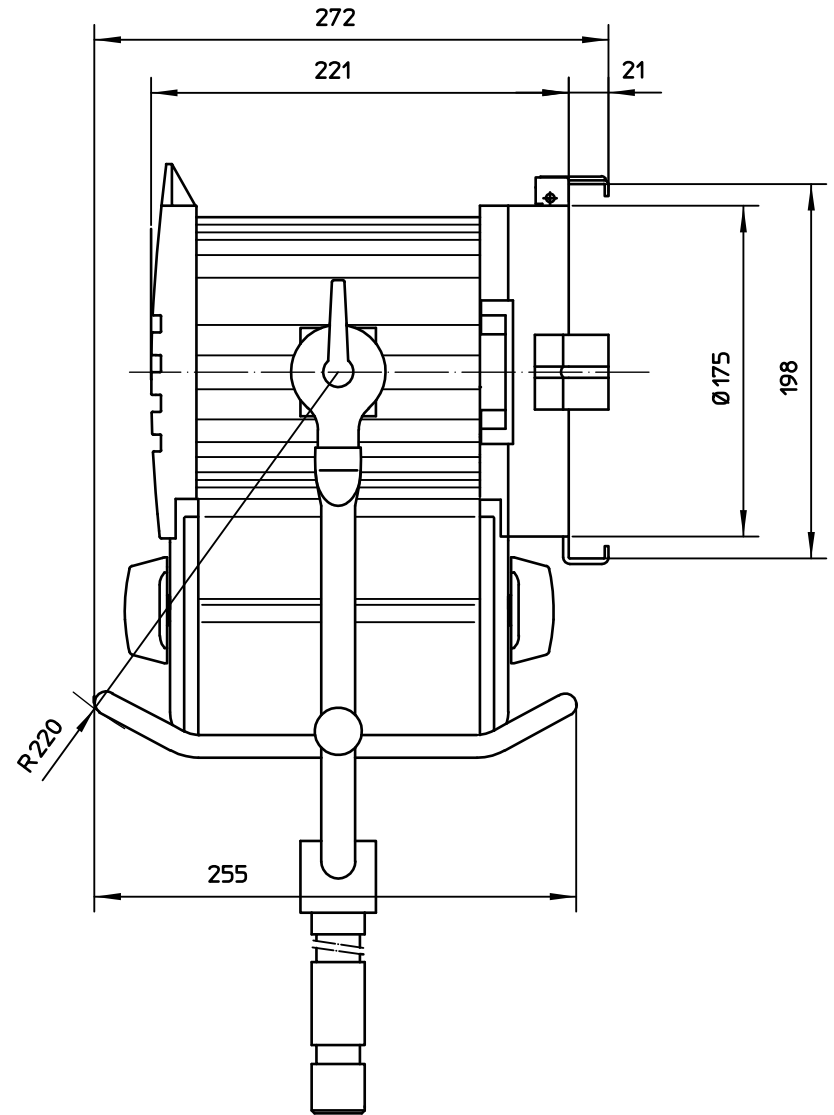
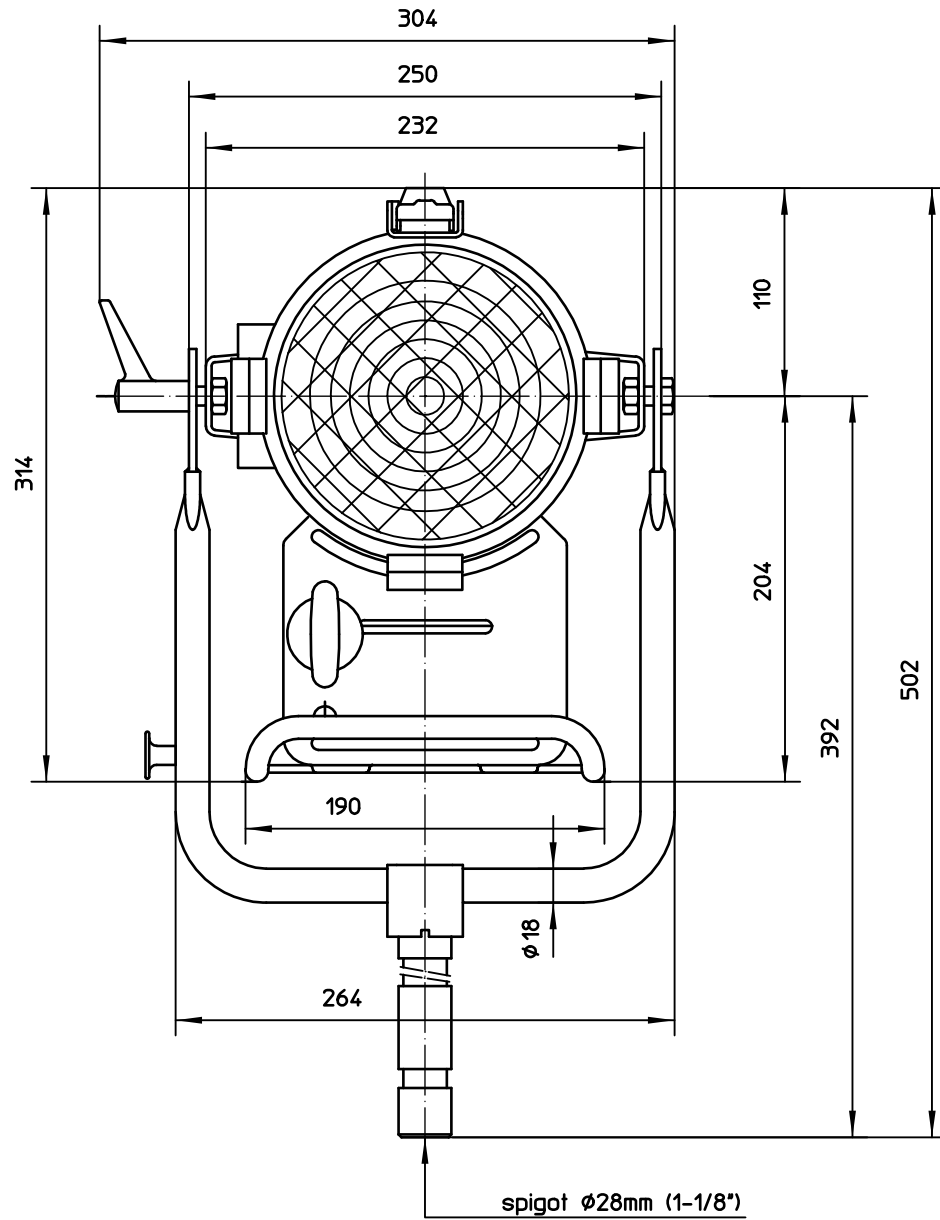



Schutzvermerk nach DIN34 beachten



Scheinwerfertyp type of lamphead	Compact 575W	Linsen lenses	Ø 130 mm Ø 5.1 "	Packmass packed size	475x380x320 mm 18.70x14.96x12.60 "	Gewicht net weight	7.4 kg 16.4 lbs	 Arnold & Richter Cine Technik Pulvermuehle D-83071 Stephanskirchen
Leuchtmittel lamp	HMI 575W/SE	Zubehoer accessories	Ø 197 mm Ø 7.8 "	Packvolumen packed volume	57.76 l 2.040 ft3	Dateiname file name	c575_mb_02	
Lampensockel lamp base	G22	Fluegeltor barndoor	Ø 197 mm Ø 7.8 "	Packgewicht packed weight	9.7 kg 21.38 lbs	Version / Stand version / as at...	1.1/05.07.06	