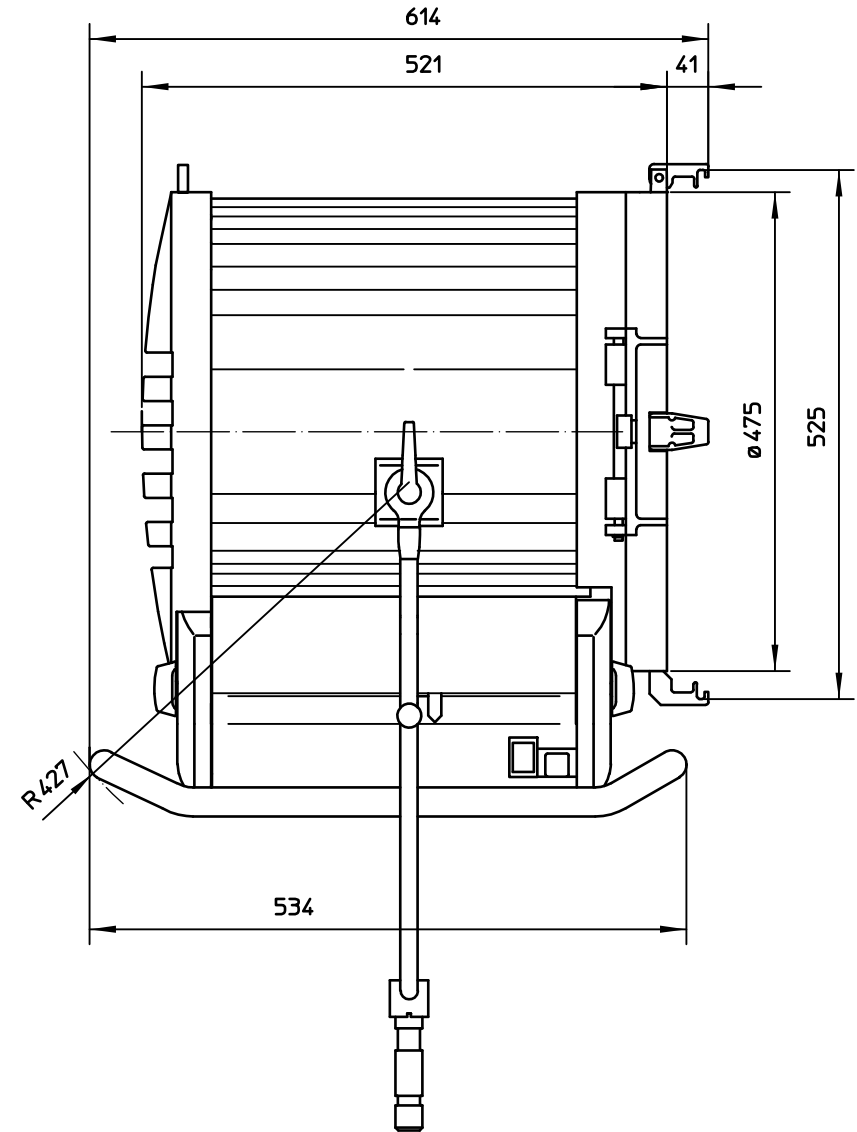
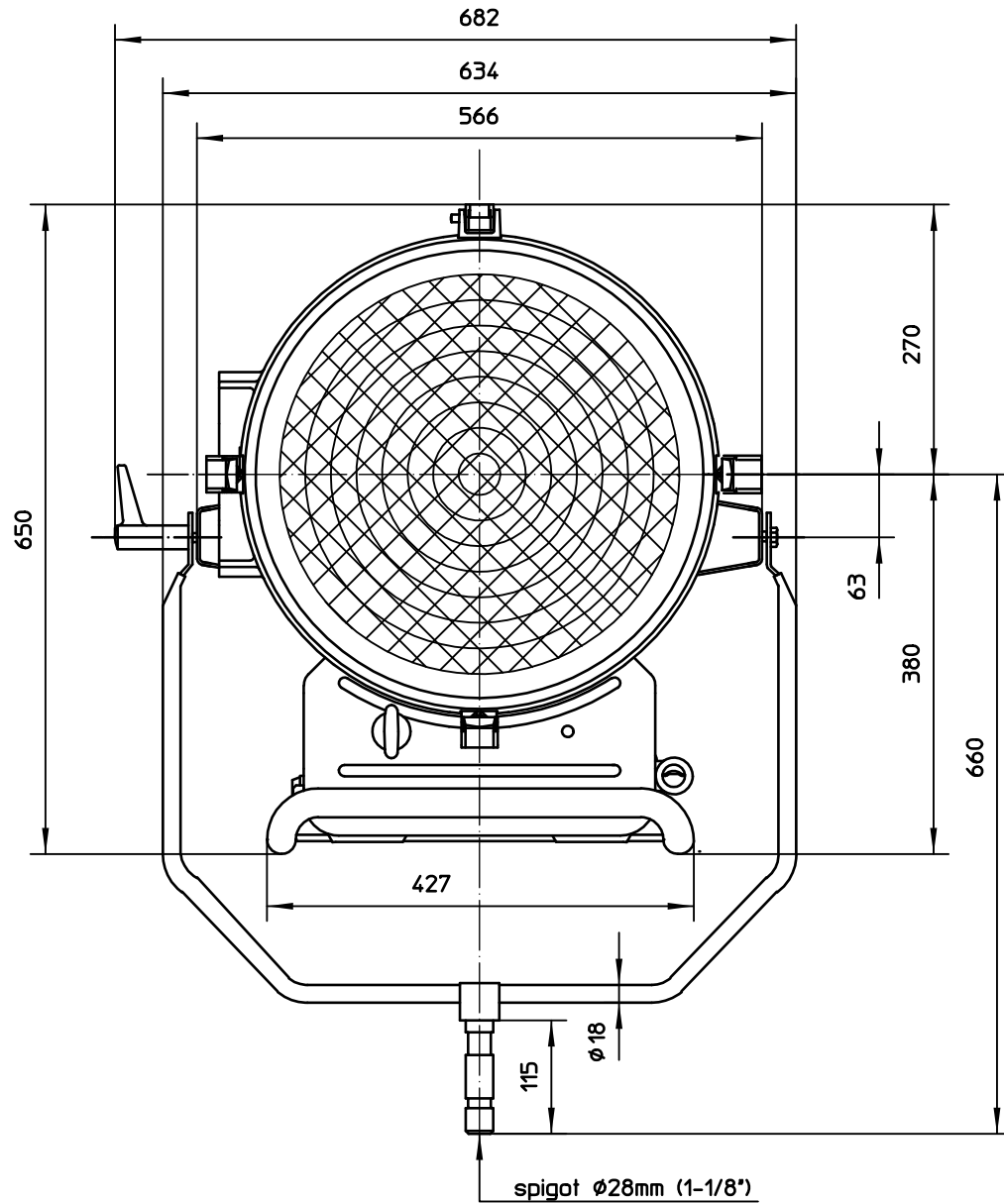



Schutzvermerk nach DIN34 beachten



Scheinwerfertyp type of lamphead	Compact 6000W	Linsen lenses	Ø 420 mm Ø 16.5 "	Packmass packed size	700x720x770 mm 27.56x28.35x30.31 "	Gewicht net weight	32.9 kg 72.5 lbs	 Arnold & Richter Cine Technik Pulvermuehle D-83071 Stephanskirchen
Leuchtmittel lamp	HMI 6000W/SE	Zubehoer accessories	Ø 495 mm Ø 19.5 "	Packvolumen packed volume	388.08 l 13.705 ft3	Dateiname file name	c6000_mb_02	
Lampensockel lamp base	G38	Fluegeltor barndoor	Ø 510 mm Ø 20 "	Packgewicht packed weight	38.5 kg 84.88 lbs	Version / Stand version / as at...	1.1/06.07.06	