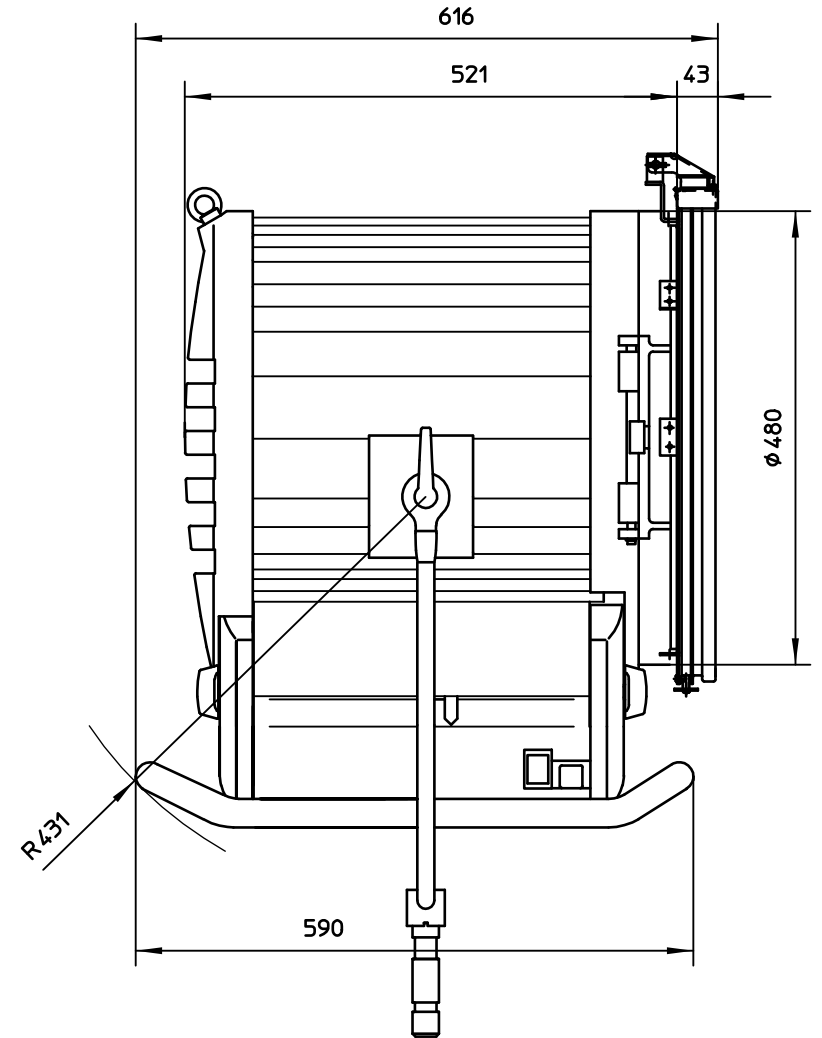
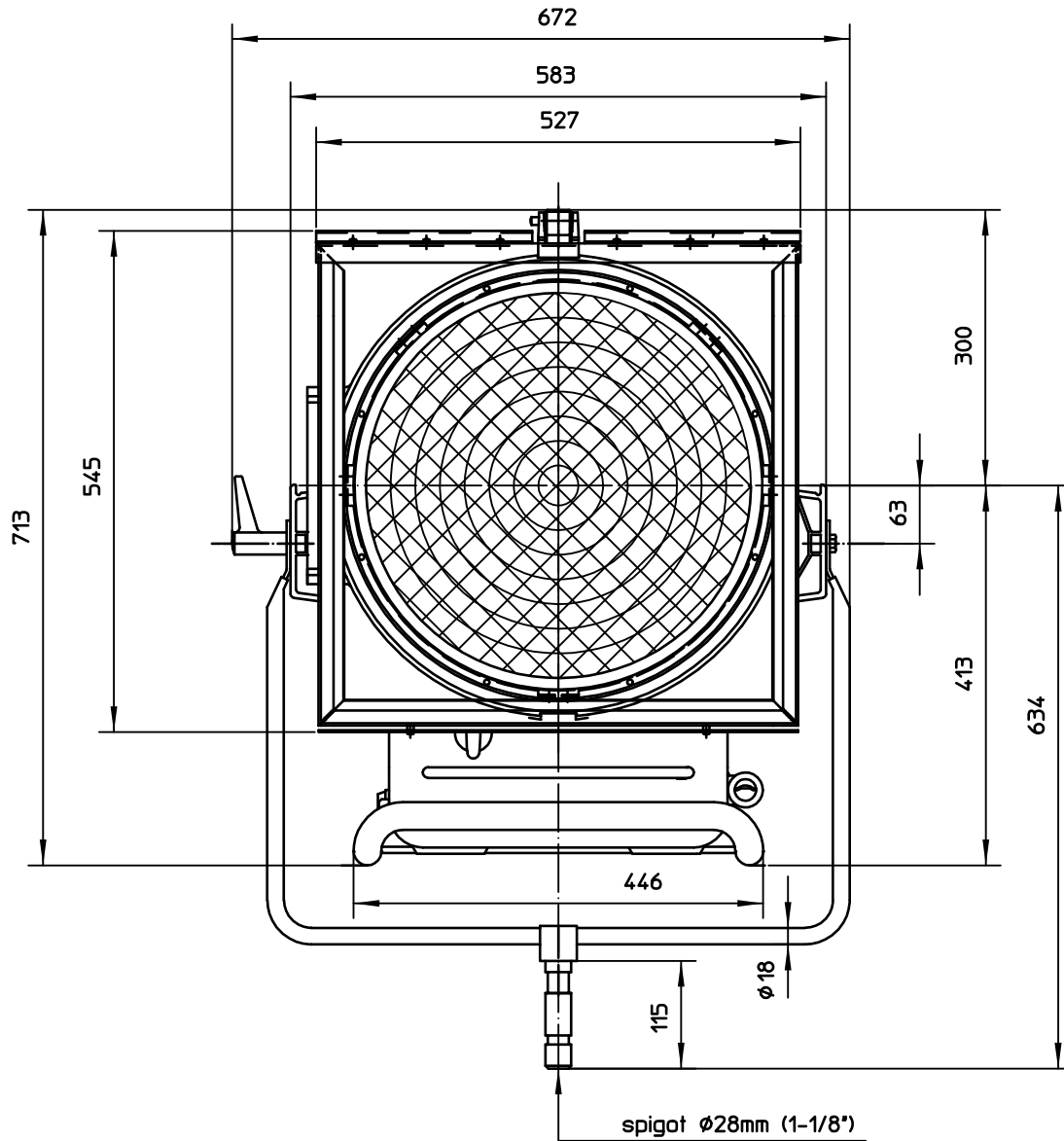



Schutzvermerk nach DIN34 beachten



| | | | | | | | | |
|-------------------------------------|----------------------|-------------------------|----------------------|------------------------------|---------------------------------------|---------------------------------------|--------------------|---|
| Scheinwerfertyp type of lamphead | Compact 6000 Theater | Linsen lenses | Ø 420 mm Ø 16.5 " | Packmass packed size | 700x720x770 mm 27.56x28.35x30.31 " | Gewicht net weight | 34 kg 74.96 lbs |  Arnold & Richter Cine Technik Pulvermuehle D-83071 Stephanskirchen |
| Leuchtmittel lamp | HMI 6000W/SE | Zubehoer accessories | Ø 495 mm Ø 19.5 " | Packvolumen packed volume | 388.08 l 13.705 ft3 | Dateiname file name | c6000t_mb_02 | |
| Lampensockel lamp base | G38 | Fluegeltor barndoor | Ø 510 mm Ø 20 " | Packgewicht packed weight | 54 kg 119.05 lbs | Version / Stand version / as at... | 1.1/11.07.06 | |