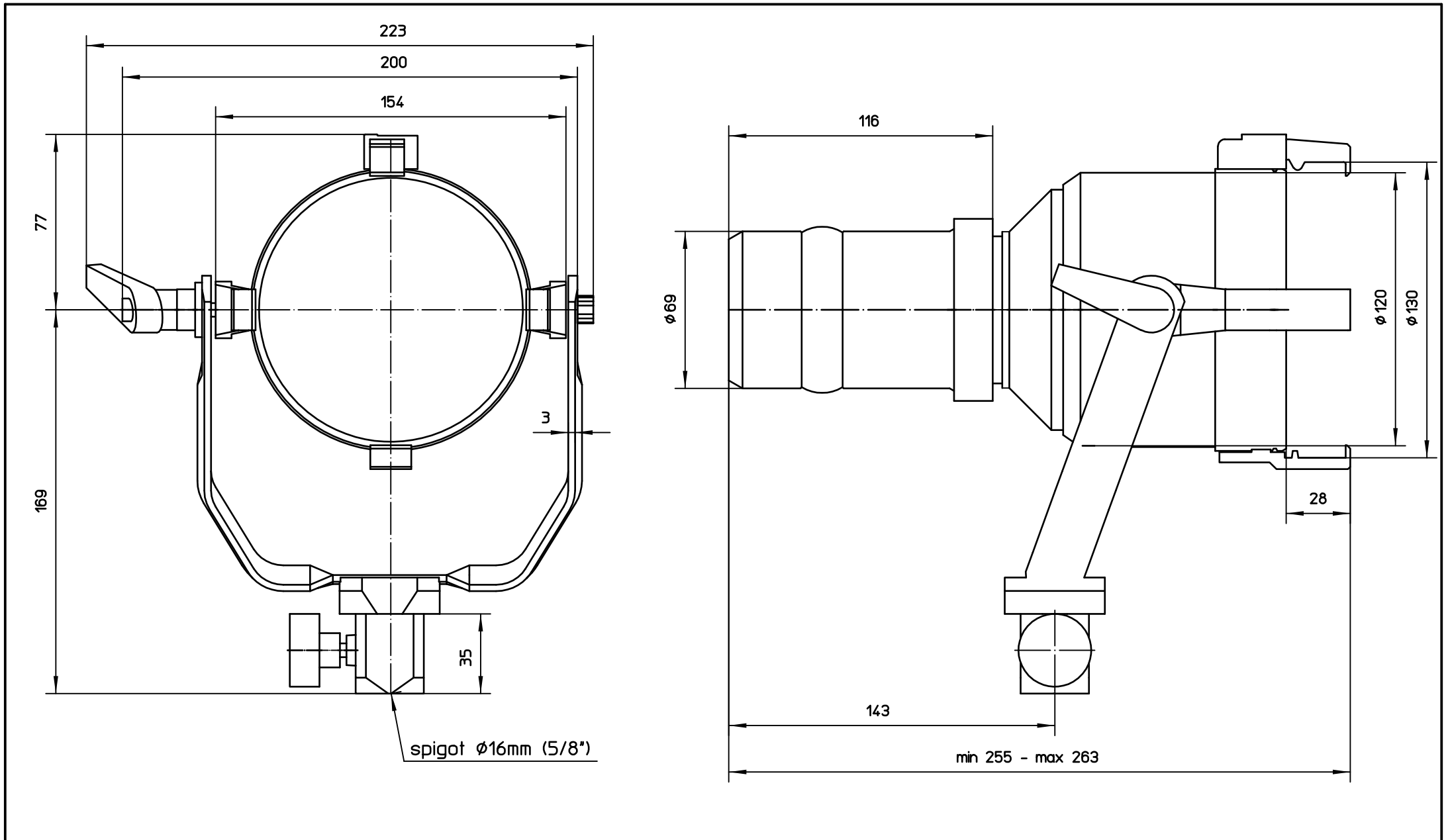



Schutzvermerk nach DIN34 beachten



Scheinwerfertyp type of lamphead	POCKET LITE 200	Linsen lenses	Ø 105 mm Ø 4.1 "	Packmass packed size	580x430x300 mm 22.7x16,8x11.7 "	Gewicht net weight	1.9 kg 4.2 lbs	 Arnold & Richter Cine Technik Pulvermuehle D-83071 Stephanskirchen
Leuchtmittel lamp	HMI 200W/SE	Zubehoer accessories	Ø 130 mm Ø 5.1 "	Packvolumen packed volume	74,8 l 2.6 ft3	Dateiname file name	pl200_mb_02	
Lampensockel lamp base	GZY9.5	Fluegeltor barndoor	Ø 130 mm Ø 5.1 "	Packgewicht packed weight	17 kg 7.6 lbs	Version / Stand version / as at...	1.1/10.07.06	