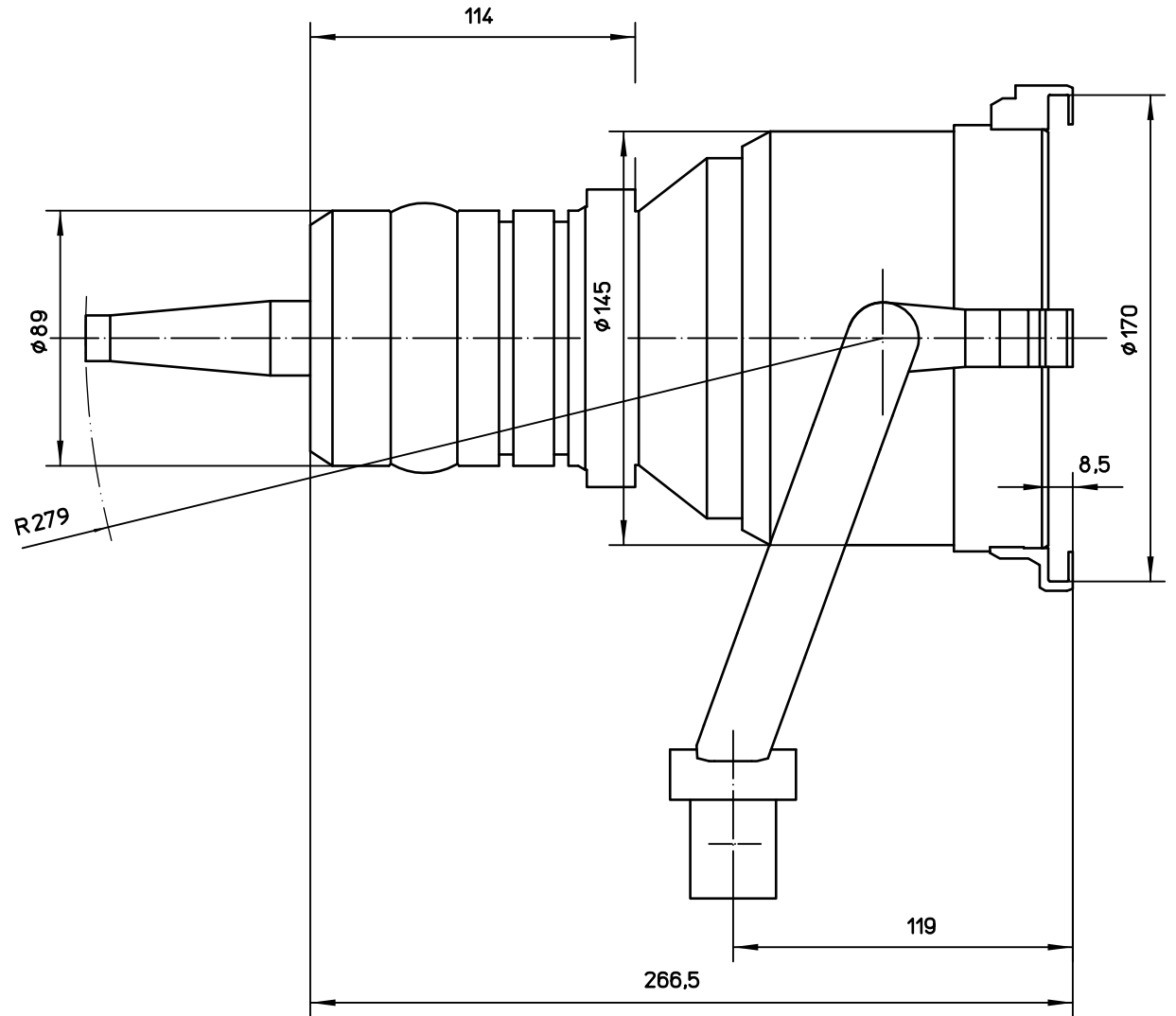
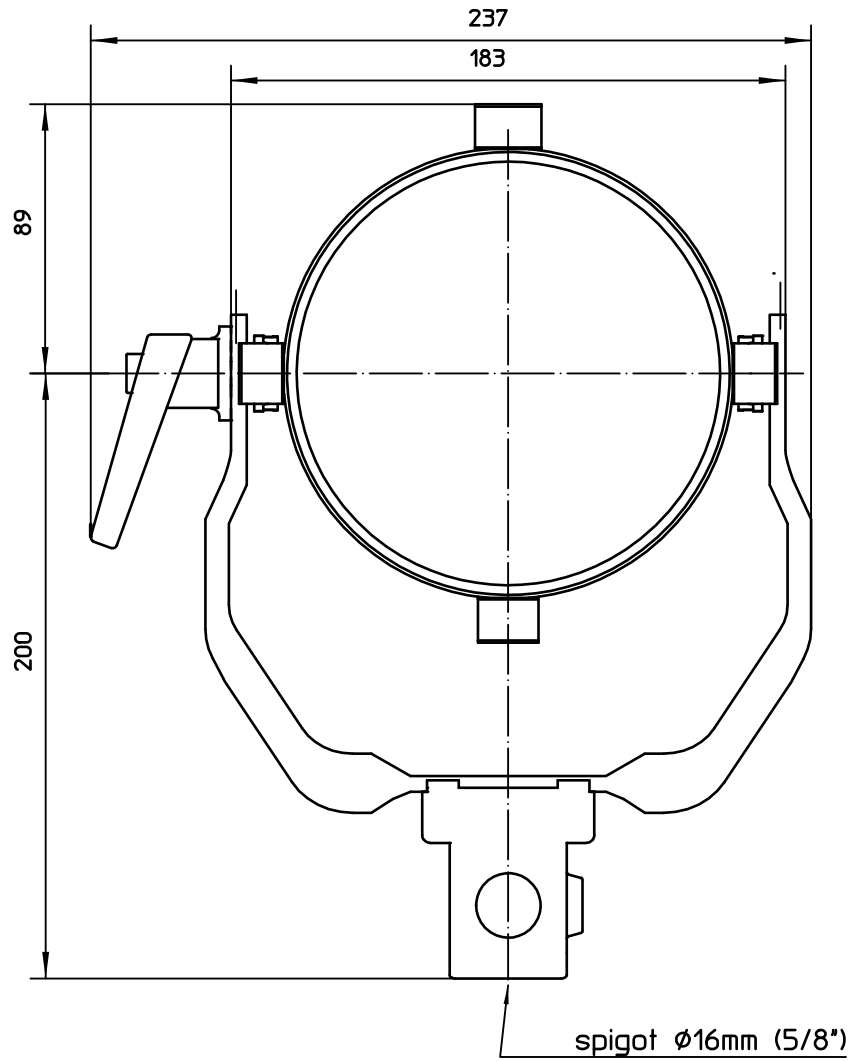



Schutzvermerk nach DIN34 beachten



Scheinwerfertyp type of lamphead	POCKET LITE 400	Linsen lenses	Ø 125 mm Ø 4.9 "	Packmass packed size	780x390x290 mm 30.5x15.2x11.3 "	Gewicht net weight	2.6 kg 5.7 lbs	 Arnold & Richter Cine Technik Pulvermuehle D-83071 Stephanskirchen
Leuchtmittel lamp	HMI 400W/SE	Zubehoer accessories	Ø 170 mm Ø 6.7 "	Packvolumen packed volume	88,2 l 3.1 ft3	Dateiname file name	pl400_mb_02	
Lampensockel lamp base	GZZ9.5	Fluegeltor barndoor	Ø 170 mm Ø 6.7 "	Packgewicht packed weight	20 kg 44.08 lbs	Version / Stand version / as at...	1.1/11.07.06	