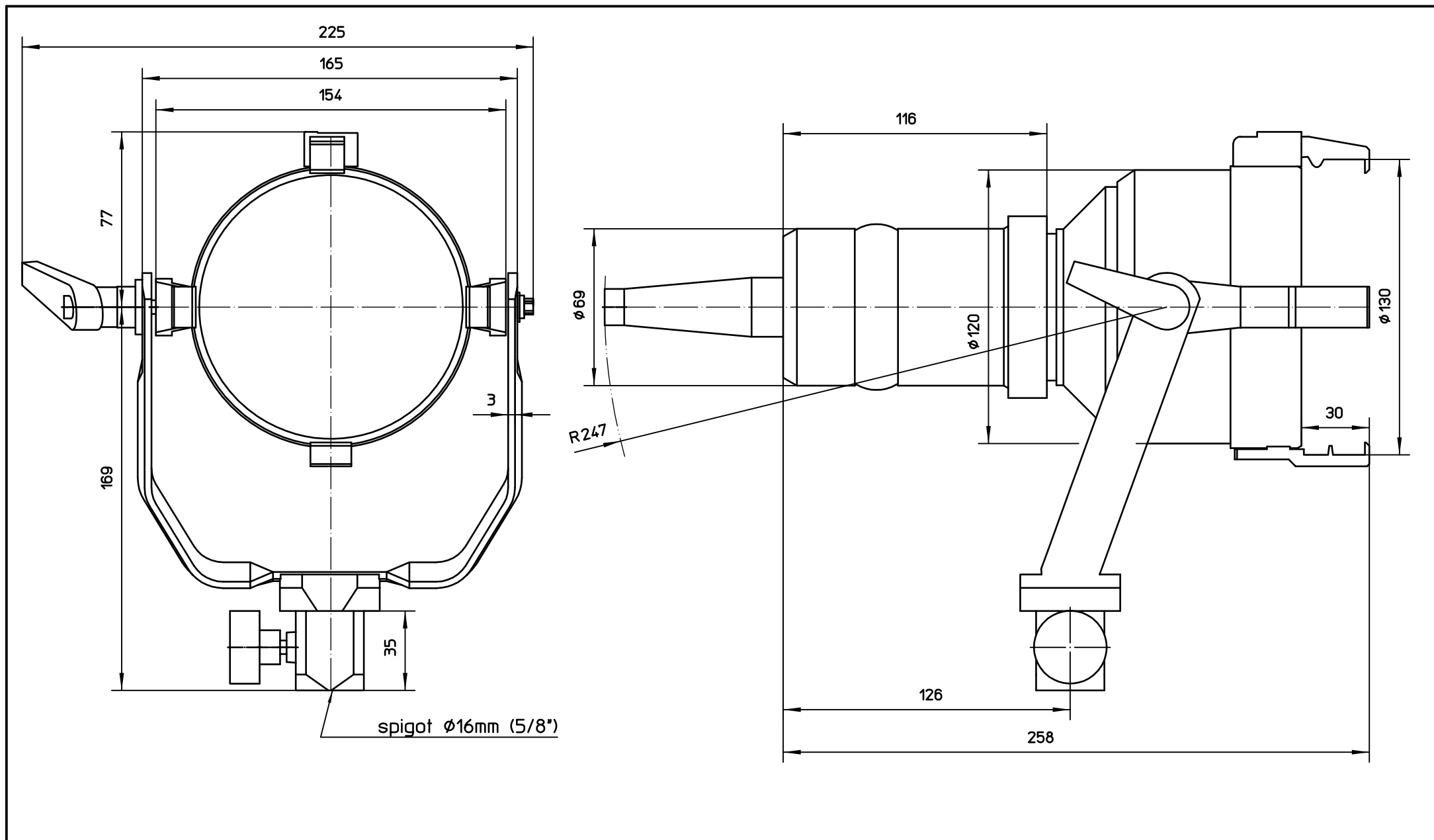



Schutzvermerk nach DIN34 beachten



Scheinwerfertyp type of lamphead	POCKET PAR 200	Linsen lenses	ø 105 mm ø 4.1 "	Packmass packed size	700x440x300 mm 27.4x17.2x11.7 "	Gewicht net weight	1.9 kg 4.2 lbs	 Arnold & Richter Cine Technik Pulvermuehle D-83071 Stephanskirchen
Leuchtmittel lamp	HMI 200W/SE	Zubehoer accessories	ø 130 mm ø 5.1 "	Packvolumen packed volume	92,4 l 3.2 ft3	Dateiname file name	pp200_mb_02	
Lampensockel lamp base	GZY9.5	Fluegeltor barndoor	ø 130 mm ø 5.1 "	Packgewicht packed weight	22 kg 48.5 lbs	Version / Stand version / as at...	1.1/11.07.06	