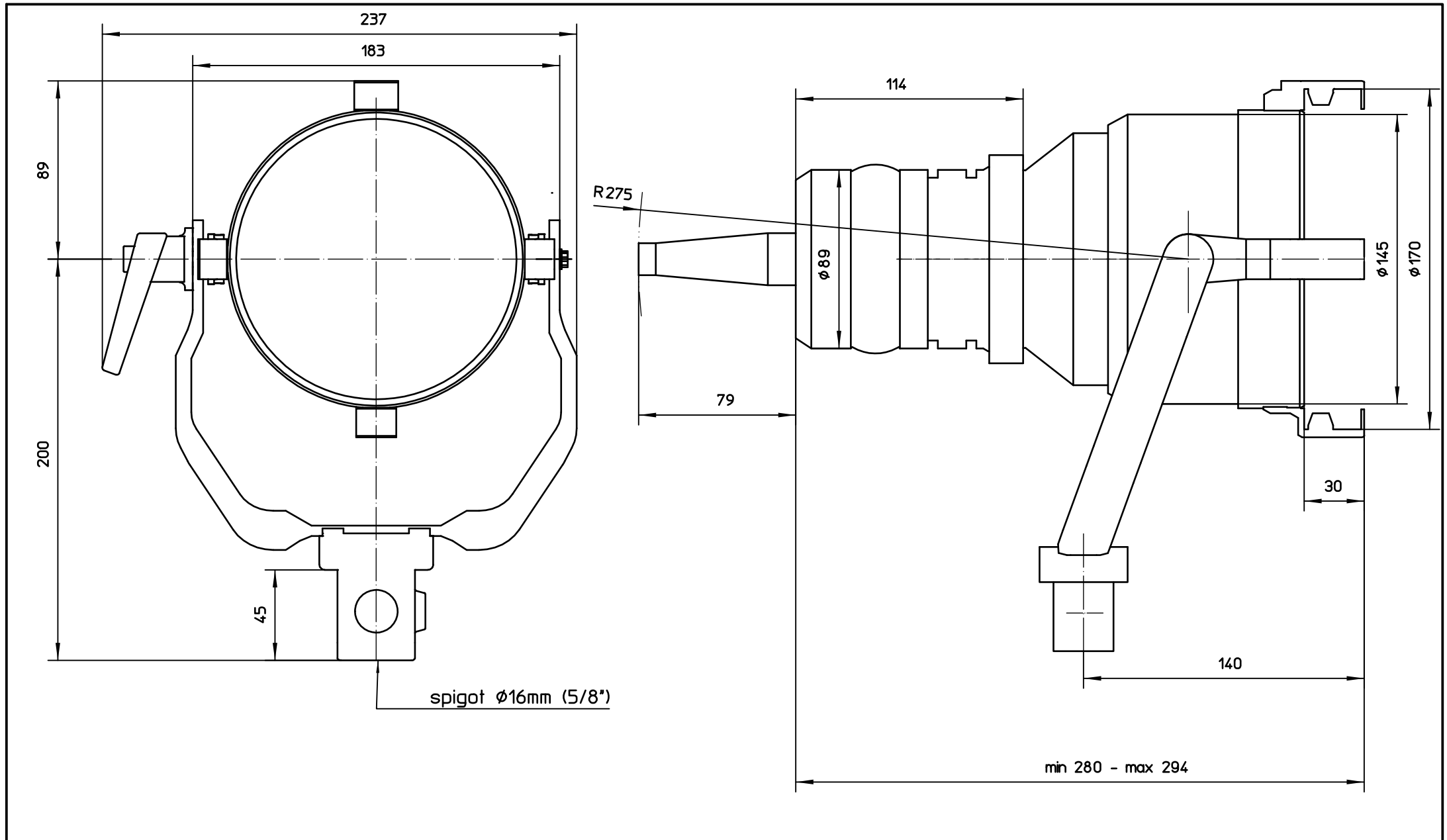



Schutzvermerk nach DIN34 beachten



| | | | | | | | | |
|-------------------------------------|----------------|-------------------------|---------------------|------------------------------|----------------------------------|---------------------------------------|-------------------|---|
| Scheinwerfertyp type of lamphead | POCKET PAR 400 | Linsen lenses | Ø 125 mm Ø 4.9 " | Packmass packed size | 690x390x290 mm 27x15.2x11.3 " | Gewicht net weight | 2.6 kg 5.7 lbs |  Arnold & Richter Cine Technik Pulvermuehle D-83071 Stephanskirchen |
| Leuchtmittel lamp | HMI 400W/SE | Zubehoer accessories | Ø 170 mm Ø 6.7 " | Packvolumen packed volume | 78.03 l 2.7 ft3 | Dateiname file name | pp400_mb_02 | |
| Lampensockel lamp base | GZZ9.5 | Fluegeltor barndoor | Ø 170 mm Ø 6.7 " | Packgewicht packed weight | 24 kg 52.8 lbs | Version / Stand version / as at... | 1.1/10.07.06 | |