



Main Features

- Native soft light
- Integrated power supply
- Size and weight comparable to S60-C
- SkyPanel S60-C front and mounting accessories compatible
- Digital twin
- Built-in wireless with Lumenradio CRMX and Bluetooth
- Remote maintenance via Claypaky's CloudIO
- Expanded wired connectivity options
- LiOS software with SkyPanel Classic on-board user interface
- Improved low-end dimming performance
- 4 individually controllable pixel zones
- RGBW LED light engine
- CCT range between 2,800 K - 10,000 K



S60 Pro

Upgrade your workflow: faster, smarter, more efficient

The SkyPanel S60 Pro represents the perfect blend of the familiar and the new, combining the renowned benefits of the iconic S60-C with innovative updates that meet the demands of today's professionals.

Seamless Integration

The S60 Pro fits effortlessly into your sets, studios, and rental inventories, with color consistency across all SkyPanel models and generations, plus full compatibility with S60-C optical accessories.

Improved Workflow

Elevate your productions with enhanced dimming and light output, built-in wireless and PSU, new software features, and expanded connectivity.

Advanced Virtual Tools

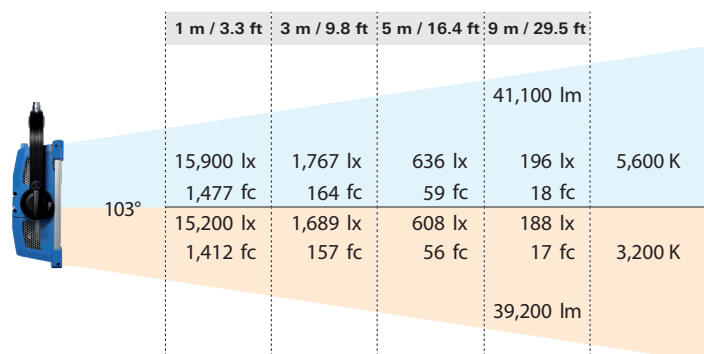
Embrace the future with our digital twin, enabling unmatched customization and control in pre-visualization and virtual production.

Continuous Reliability

CloudIO ensures your S60 Pro stays updated and problem-free with dependable, easy remote maintenance.

Photometric Data

Preliminary data.



Set Configuration

Fixture	Color	Yoke	Cable
S60 Pro	<ul style="list-style-type: none"> ■ blue/silver ■ black 	<ul style="list-style-type: none"> Manual Pole Operated 	<ul style="list-style-type: none"> Schuko Edison Chinese Japanese Australian Bare Ends

Specifications S60 Pro

Type of Lamphead	LED Soft Light
Optical System	Swappable Diffusion Panels
Light Aperture	approx. 645 x 300 mm / 25.4 x 11.8"
Beam Angle	103° (with Standard Diffusion)
Light Engine	RGBW LED Light Engine
White Light	2,800 K to 10,000 K Continuously Variable CCT with Full +/- Green
Color Modes	CCT, HSI, RGBW, Effects, xy, Gel, Source Matching
Pixel Zones	4
Color Rendition	CRI average >95 TLCI average >90 TM30Rf average >91
Camera Sensor Matching	Yes, via ARRI ALEXA Mode
Dimming	0 to 100 % Continuous High Resolution Low-end Dimming
Accessory Compatibility	All Classic SkyPanel S60-C front & mounting accessories

Mechanical

Versions	Manual Pole Operated
Handling	Aluminum Yoke with High-Strength Tilt Lock Steel Yoke for Pole Operation (Pan, Tilt) Rail for Fixed and Center Mount Yokes
Mounting	28 mm spigot (Junior Pin)
Housing Colors	Blue/Silver, Black
Tilt Angle	+/- 90°
Weight with Manual Yoke	approx. 15 kg / 33.1 lbs (Internal PSU)

Control Options

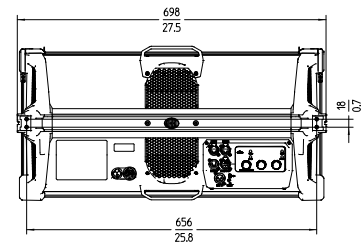
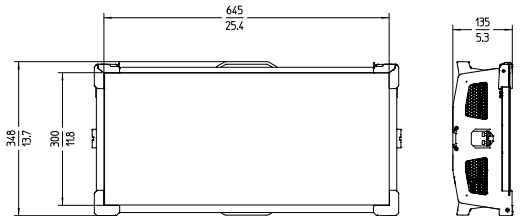
On-Board Control	On-Board Control Panel on Bottom of Fixture
Wired Control	DMX-512A, RDM, Art-Net 4, sACN, LAN (Web-control, ALSM, mDNS Bonjour, PTP, NTP) Data Continues to Pass While Fixture is Powered Off.
Built-In Wireless Control	CRMX Classic, CRMX2, W-DMX G3 / G4 / G4S / G5, BL, Native Bluetooth 5.0
Software Interface	LAN/EtherCon and USB-C
Digital Twin Available	Yes
CloudIO Remote Maintenance Tool	Yes
Software	LiOS

Electrical (Lamphead)

Power Supply	Internal
Power Consumption	500 W Maximum
AC Voltage Range	110 - 240 V~, 50/60 Hz
AC Power Connection	In and Through, PowerCON® TRUE1 TOP Compatible
DC Voltage Range	48 to 52 V= (100% Output)
DC Power Connector	3-Pin XLR (Pin 1: Negative, Pin 2: Positive)
Protection Class / IP Rating	I / IP20
Ambient Temperature Operation	-20 to +45 °C / -4 to +113° F
Estimated LED Lifetime (L70)	40,000 Hours
Estimated Color Shift Over Lifetime (CCT)	+/- 5%
Certifications & Declarations of Conformity	CE, CB, ENEC, cNRTLus, FCC, PSE & more

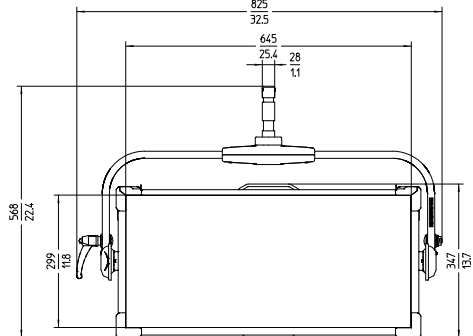
S60 Pro

Size: 698 x 348 x 135 mm / 27.5 x 13.7 x 5.3 in
Weight: approx. 13 kg / 28.7 lbs



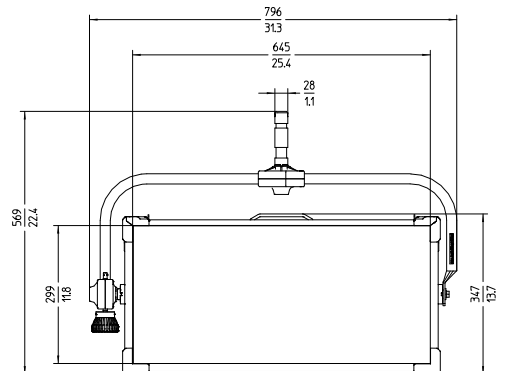
S60 Pro MAN - with Manual Yoke

Size: 825 x 568 x 135 mm / 32.5 x 22.4 x 5.3 in
Weight: approx. 15 kg / 33.1 lbs



S60 Pro P.O. - with Pole Operated Yoke

Size: 796 x 569 x 135 mm / 31.3 x 22.4 x 5.3 in
Weight: approx. 16,5 kg / 36.4 lbs



All specifications are nominal / typical values.
Preliminary data.